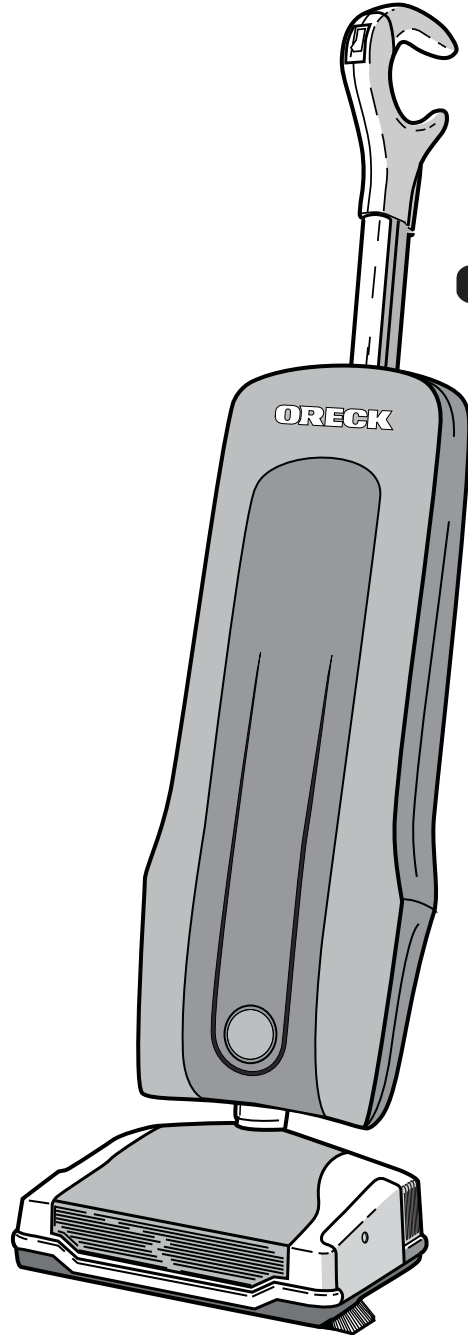


# ORECK® XL®

## Powerful, Lightweight Upright Vacuum XL® Platinum Plus Series

### User's Guide



**ORECK** clean home™  
HEALTHIER. EASIER. SMARTER.™

**HEPA  
CELOC®**  
HYPO-ALLERGENIC FILTERING SYSTEM

**intellashield™**  
PROTECTION BEYOND CLEAN

#### **Important!**

Read all instructions carefully, and keep for future reference.

# Safety.

## General Warnings

### ⚠ IMPORTANT SAFETY INSTRUCTIONS!

When using an electrical appliance, basic precautions should always be followed, including the following:

#### READ ALL INSTRUCTIONS BEFORE USING THIS VACUUM CLEANER

#### WARNING To reduce the risk of fire, electric shock, or injury:

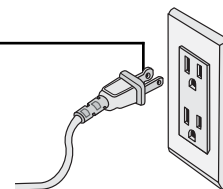
- Do not leave appliance unattended when plugged in. Unplug from outlet when not in use and before servicing.
- Do not use outdoors or on wet surfaces.
- Do not operate the unit while in the upright and locked position.
- Do not let the unit run while in any one stationary position for any period of time. Keep the unit moving while in operation.
- Do not allow to be used as a toy. Close attention is necessary when used by or near children.
- Use only as described in this manual. Use only manufacturer's recommended attachments.
- Do not use with damaged cord or plug. If appliance is not working as it should, has been dropped, damaged, left outdoors, or dropped into water, return it to a service center or call customer service at:  
**US: 1-800-989-3535 Canada: 1-888-676-7325**
- Do not pull or carry by cord, use cord as a handle, close door on cord, or pull cord around sharp edges or corners.
- Keep cord away from heated surfaces.
- Do not run appliance over cord.
- Do not unplug by pulling on cord. To unplug, grasp the plug, not the cord.
- Do not handle plug or appliance with wet hands.
- Do not put any object into openings. Do not use with any opening blocked; keep free of dust, lint, hair and anything that may reduce air flow.
- Keep hair, loose clothing, fingers and all parts of body away from openings and moving parts.
- Do not use to pick up anything that is burning or smoking, such as cigarettes, matches, or hot ashes.
- Do not use without filter bag assembly in place.
- Turn off all controls before unplugging.
- Use extra care when cleaning on stairs.
- Do not use to pick up flammable or combustible liquids, such as gasoline or lighter fluid, or use in areas where they may be present.
- Do not use appliance in an enclosed space where flammable, explosive or toxic vapors are given off by oil base paint, paint thinner, some mothproofing substances, or in an area where flammable dust is present.
- Do not pick up toxic material such as chlorine bleach, drain cleaner, gasoline, etc. with this appliance.
- Use caution when vacuuming over area rug edges and fringe.

## SAVE THESE INSTRUCTIONS

### Household Use Only

A polarized plug has one rounded prong and one straight prong. The rounded end goes into the longest socket slot.

To reduce the risk of electric shock, this equipment has a polarized plug (one blade is wider than the other). This plug will fit in a polarized outlet only one way. If the plug does not fit fully in the outlet, reverse the plug. If it still does not fit, contact qualified personnel to install the proper outlet. Do not alter the plug in any way.



# Enjoy.

# Call. Click. Visit.



To speak with an Oreck representative call:  
USA: **1-800-989-3535** Canada: **1-888-676-7325**



On the web, point and click at: **www.oreck.com**



Visit us in person at one of over **450** store locations. To find the nearest store, please call **888-oreckstore** (888-673-2578) or visit **www.oreckstore.com**.

# Contents.



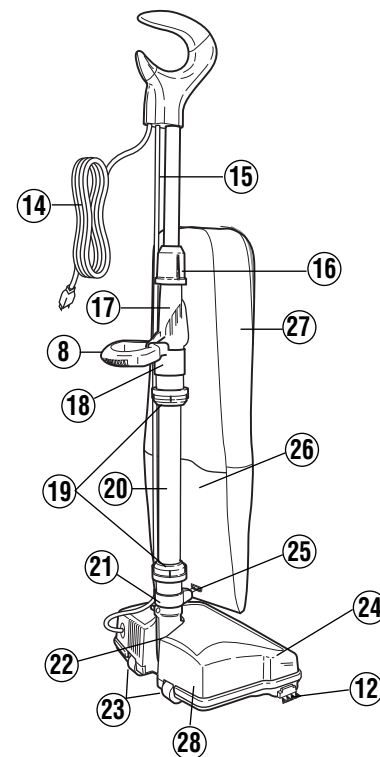
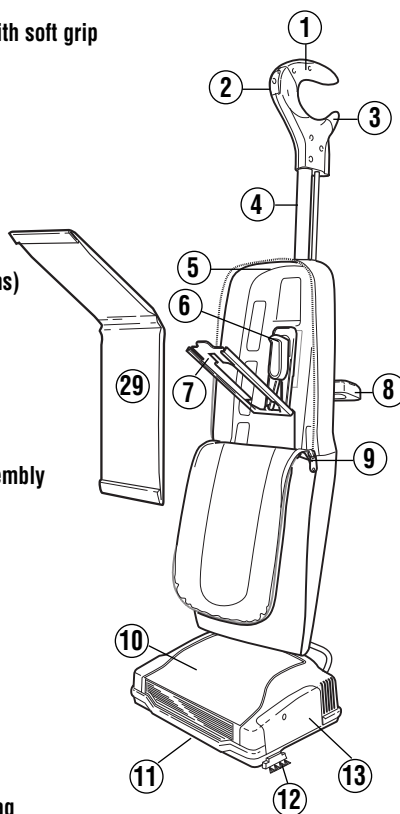
- Safety** ..... 2
  - General Warnings ..... 2
- Operation** ..... 3
  - Parts List ..... 3
  - Assembling the Handle Tube ..... 4
  - Operating the U7100 ..... 4
  - Storage ..... 4
  - Operating Recommendations ..... 4
- General Information** ..... 5
  - Odor Fighting Filter Dust Bags ..... 5
  - Intellashield™ Technology ..... 5
  - HEPA-Celoc® Hypo-Allergenic Filter System ..... 5
  - The Belt ..... 5
  - Lubrication ..... 5
- Maintenance** ..... 6
  - Replacing Disposable Odor Fighting Dust Bag ..... 6
  - Replacing Worn Belt ..... 6
  - Adjusting or Replacing Brushroll ..... 6
  - Replacing Edge Brush ..... 7
  - Replacing the LED Light ..... 7
  - Using an Oreck Fresh Air® Tabs ..... 7
  - Stuffing or Blockage ..... 8
- Troubleshooting** ..... 8
- Parts** ..... 9
  - Accessories & Replacement Parts ..... 9
- Warranty** ..... 9
- Español Guía Del Usuario** ..... 10
- Guide D'utilisation Français** ..... 19

# Operation.

To assist you in identifying your vacuum's components, the parts have been numbered as follows.

## Parts List

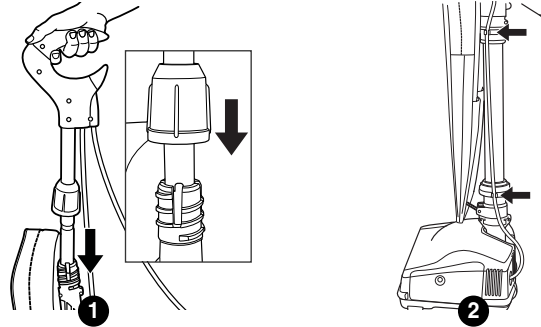
- 1 Helping Hand® Handle with soft grip
- 2 On/Off Switch
- 3 Cord Dump
- 4 Handle Tube
- 5 Bag Stiffener
- 6 Deflector
- 7 Bag Dock
- 8 Carry Handle
- 9 Zipper
- 10 Fascia (includes light lens)
- 11 Main Bumper
- 12 Edge Brush
- 13 Belt Door
- 14 Power Cord
- 15 Cord Assembly
- 16 Handle Collar
- 17 Connector Deflector Assembly
- 18 Carry Handle Clamp
- 19 Collars
- 20 Lower Tube
- 21 Bag Clip Clamp
- 22 Fan Housing
- 23 Rear Wheels
- 24 Cover
- 25 Bag Spring
- 26 Bag Pocket
- 27 Outer Bag
- 28 Power Head
- 29 Disposable Filter Dust Bag



# Operation.

## Assembling the Handle Tube

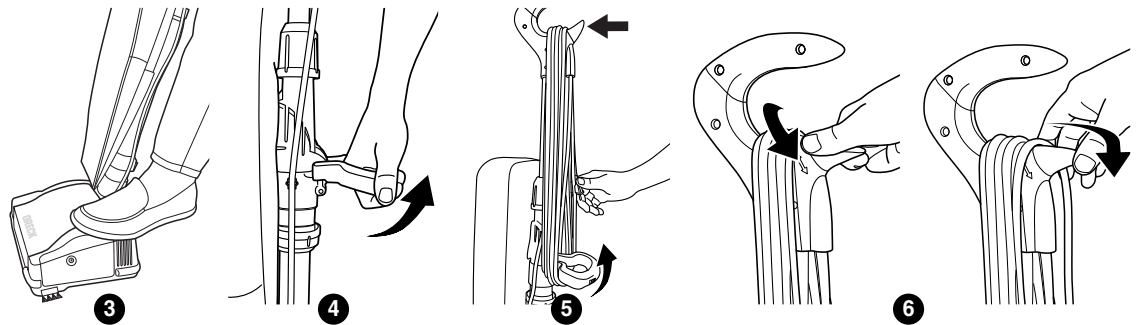
- ❶ Align slot in handle tube with tab in connector. Insert the handle tube into connector. Tighten collar at base of handle tube onto the connector until it locks, “snaps”.
- ❷ Snap cord assembly into the cord clip located on the left side of the collar. Leave excess cord at the power head to allow movement.



## Operating the U7100

Make sure the Disposable Odor Fighting dust bag is in place. **DO NOT** operate the cleaner without a dust bag. Plug the power cord into an electrical outlet and press the **On Low ( I ) - On High ( // ) - OFF ( O )** switch on handle assembly when ready to operate.

- ❸ **Up-Position Lock** - Place foot on power head and lean handle back gently to release lock for vacuum use. Return handle to the full upright position to engage lock. **Note:** Do not operate the unit while in the upright and locked position. Do not let the unit run while in any one stationary position for any period of time. Keep the unit moving while in operation.
- ❹ **Carry Handle** - Raise the carry handle located onback of the unit for easy lifting, carrying, and stair vacuuming. Lower the handle during use to eliminate obstruction.
- ❺ **Easy Power Cord Storage** - Raise carrying handle and wrap power cord around carry handle and Helping Hand® handle.
- ❻ To release cord, twist cord dump located on Helping Hand® handle 1/2 turn. Slide cord off handle.



## Storage

Both the Helping Hand® handle and carry handle can be used for convenient, space saving storage of cleaner. Hang cleaner by carry handle on a sturdy fastener or Helping Hand handle on a closet rod.

## Operating Instructions

This new ORECK Upright is one of the finest, fastest, and strongest units in its class. You'll love the way it cleans, gets under things, and it's SO lightweight and easy to use.

The following are a few simple suggestions regarding its operation:

1. When inserting a new disposable dust bag -FIRST PUFF OUT and OPEN THE BAG.
2. When the disposable dust bag is full, REPLACE IT.
3. If at any time the machine does not pick up properly or makes an unusual noise, STOP OPERATION and service.
4. Although your upright will pick up pins, paper clips, and other small objects, it is recommended that these be removed from the floor before you vacuum. Failure to do so may result in permanent damage to the motor suction fan and its housing.
5. **WARNING:** Do not use your vacuum cleaner on damp or wet surfaces. This will cause damage to the vacuum cleaner and is dangerous to the user. Damage caused by use on wet or damp surfaces is not covered under warranty.
6. For optimal performance, replace the belt every 6 months.
7. Check the disposable filter dust bag at least once a month.
8. **DO NOT** run the vacuum cleaner over the cord. The revolving brush could damage the cord.
9. Use caution when vacuuming over area rug edges and fringe.

# General Information.

The performance of your new cleaner greatly depends upon care and maintenance. The instructions in this manual will guide you in performing basic care and maintenance. To obtain the most satisfying years of service read the instructions and keep them handy for future reference.

## Disposable Odor Fighting Dust Bags

Disposable Odor Fighting dust bags play a very important role in the efficiency of your ORECK vacuum cleaner. The purpose of the dust bag is to trap dirt, but at the same time it must be porous enough to allow air to pass through. If the dust bag becomes clogged, no air can pass through the cleaner and cleaning cannot take place, regardless of the cleaner's power.

To keep your cleaner operating at maximum efficiency, change the dust bag frequently.

**DO NOT FILL ABOVE THE LINE INDICATED ON THE DUST BAG.**

Be sure the disposable filter dust bag is installed properly. **Note:** All disposable filter dust bags are not the same. Your ORECK disposable dust bags have been designed to be used with the ORECK cleaner. Using bags other than genuine ORECK TYPE CC disposable bags will affect the cleaning ability of your cleaner and could cause damage to it.

## Intellashield™ Technology

Oreck added Intellashield technology to various touch points, including the handle, outer bag, and bag dock while manufacturing this upright vacuum cleaner in order to provide you with antimicrobial protection that continuously fights the growth of microbes that can cause stains, odors and product degradation. When microbes, such as bacteria, mold and mildew come in contact with the product surface, Intellashield penetrates the cell wall and disrupts key functions so they cannot grow or reproduce. Your Oreck will stay cleaner, longer.

## HEPA-Celoc® Hypo-Allergenic Filter System

The HEPA-Celoc outer bag of your vacuum cleaner is high filtration medical material designed to filter the smallest of dust particles. It is important the inside of the outer bag be cleaned. Vacuum the inside of the outer bag or hand wash, turned inside out, with warm water, and air dry. If desired, the HEPA-Celoc outer bag can be replaced for renewed efficiency. The Celoc layered disposable inner dust bag must be replaced once a month even if it is not full. Change it more often if it is used in extremely dirty areas. Increase the cleaning power of your vacuum by changing the bag often.

## The Belt

The belt on your vacuum cleaner controls the speed of the revolving brush and is very important for the effective operation of the cleaner. If the belt becomes stretched or cut, it will cause the revolving brush to stop completely or slow down. See instructions in the manual for replacing belt.

**Note:** An extra belt is stored in the baseplate of your cleaner. When buying replacement belts, use ONLY ORECK genuine belts. Belts other than Oreck belts will not operate the revolving brush correctly and may create undue stress which will cause damage to the motor and brush bearings. Using belts other than ORECK belts will void the warranty.

## Lubrication

The vacuum cleaner motor bearings are factory lubricated and sealed. Further lubrication is not required.

## CAUTION

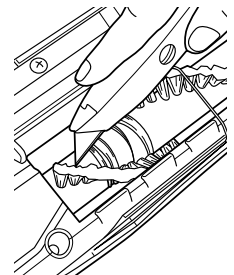
### Wood Floors, Soft (Vinyl, Asphalt Tile, etc.) Floor Surfaces and Polished Floor Finishes

Use floor and floor finish manufacturer's recommended methods of cleaning. The roller brush may also scuff very soft finishes. Do not operate the unit while in the upright and locked position. Do not let the unit run while in any one stationary position for any period of time. Keep the unit moving while in operation.

**Note:** At least once a month, check for and remove excessive lint, string or hair from revolving brush. Patented cleaning grooves on brush roll will allow easier cleaning.

Wipe the outside of the cleaner with a damp cloth. Also clean the connector deflector assembly area, base of cleaner and fan housing area. If there is dust in the outer bag, vacuum it or shake it out.

A little preventative maintenance will keep your cleaner looking new and will ensure continued cleaning effectiveness.



## Replacing Disposable Odor Fighting Dust Bag

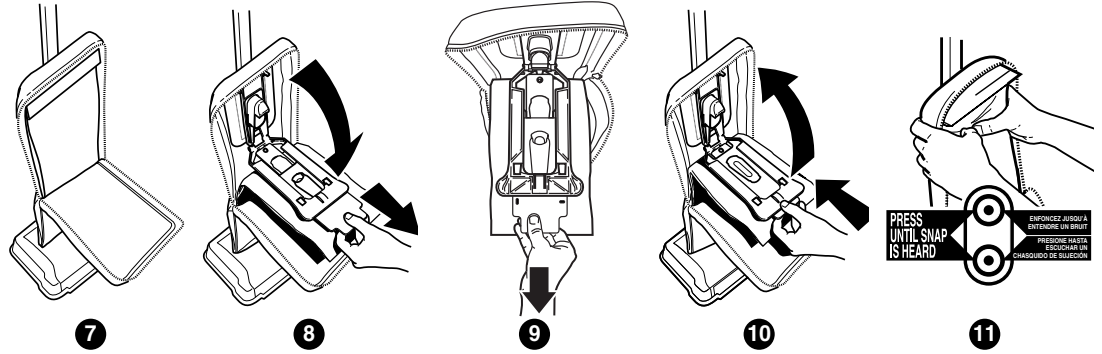
**⚠ WARNING: Unplug cord from electrical outlet before servicing.**

### BAG REMOVAL:

- 7 Unzip outer bag completely.
- 8 Pull bag cardboard collar to release bag dock door from connector. Bag dock door will hinge downward.
- 9 Gently pull bag cardboard collar upward out of the bag dock. Saniseal® dust seal will close automatically.

### BAG INSTALLATION:

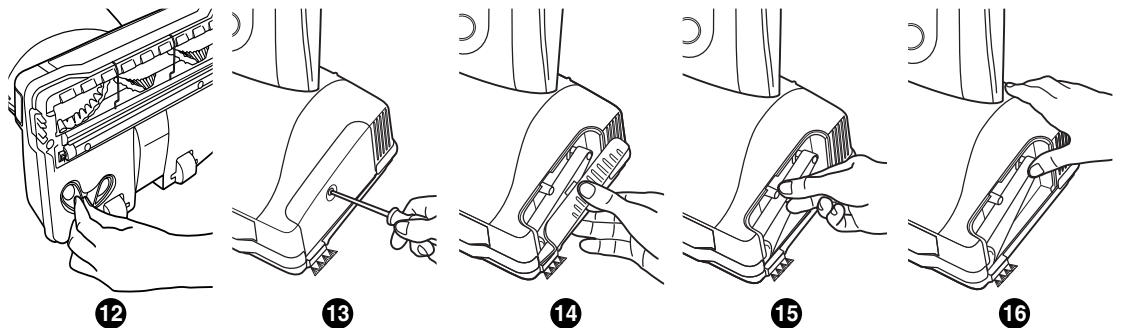
- 10 Slide the cardboard collar completely onto bag dock door.
- 11 Firmly push bag dock door with both thumbs on indication point until it snaps.



## Replacing Worn Belt

**⚠ WARNING: Unplug cord from electrical outlet before servicing.**

- 12 Remove the replacement belt from the storage channel.
- 13 Remove the door by removing the hold down screw located on side of power head.
- 14 Fold door away from the power head and lift it away.
- 15 Remove the belt from the motor drive shaft and brush roll pulley.
- 16 Loop the new belt over the brush roll pulley. Place the opposite end of the belt on the motor drive shaft.
- 14 Replace the door by placing the bottom tab on door into slots located inside power head and pressing the door closed.
- 13 Replace the hold down screw and tighten.



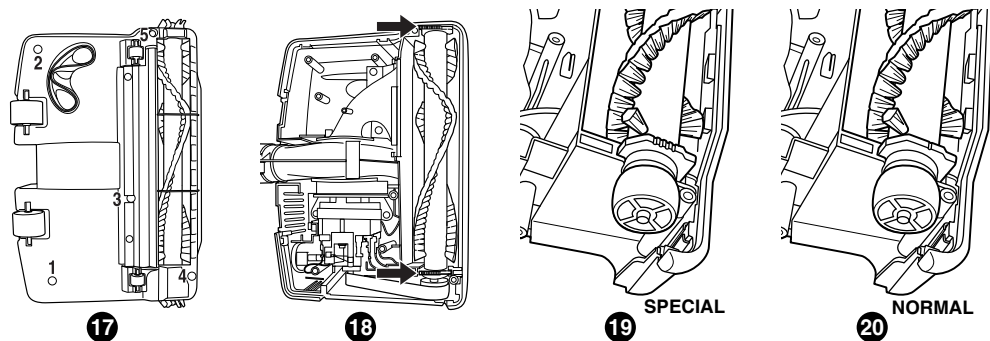
## Adjusting or Replacing Brushroll

**⚠ WARNING: Unplug cord from electrical outlet before servicing.**

Your Oreck Vacuum comes with the brush roll set at the “NORMAL” position for most types of carpets. When using vacuum primarily on Berber Carpets, you can adjust brushroll to the “SPECIAL” setting for increased performance.

- 17 Remove the base plate by removing 5 screws. Then, remove the belt and brushroll from the housing.
- 18 Rotate both end cards of the brush roll to show “SPECIAL” and replace in the holding channels of the housing.
- 19 **Note:** The one marked “SPECIAL” has several ribs on top of the end card.
- 20 The brush end card setting marked “NORMAL” has one rib. When rotating bearings, make sure both end card assembly settings are the same and face up when replacing the brushroll.
- 16 Reassemble the belt.
- 17 Reassemble the baseplate.

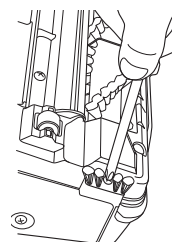
# Maintenance.



## Replacing Edge Brush

**⚠ WARNING: Unplug cord from electrical outlet before servicing.**

Turn the power head over. With baseplate facing up, remove the screw located in the center of each edge brush. Remove both edge brushes and replace with new ones. Replace both screws and tighten.

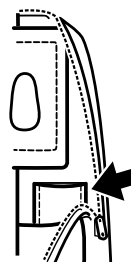


## Replacing the LED Light

The light assembly should be replaced by an Oreck authorized service center whenever it fails to light during operation.

## Using an Oreck Fresh Air® Tab

Your ORECK U7100 vacuum cleaner has a special ORECK FRESH AIR® tab pocket. This pocket is located inside the outer cloth bag in the area where the Odor Fighting filter dust bag attaches to the intake tube. Insert tablet in pocket if desired.



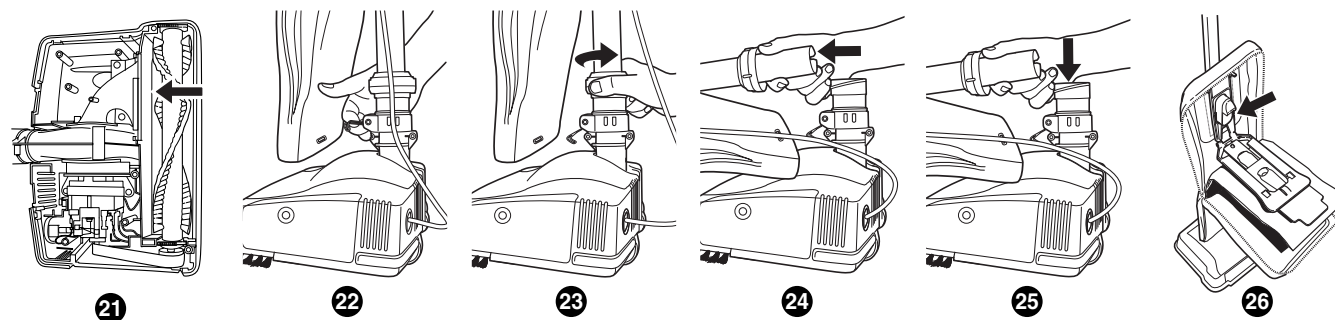
## Stuffing or Blockage

**IMPORTANT:** On plush and new carpets, stuffing may occur inside the the intake tube and the lower tube assembly. This is due to excessive fuzz and loose cuttings in the carpet. Stuffing could occur for the first few cleanings until all the loose material is removed. Due to the high efficiency of the cleaner, many older carpets will cause stuffing when the cleaner is first used on them. If your vacuum cleaner does not pick up properly, or makes unusual noise and the outer bag does not fluff up or balloon open, follow these steps:

**⚠ WARNING: Unplug cord from electrical outlet before servicing.**

- 21** Check for blockage at the mouth of the intake opening. If there is blockage, remove it with long-nose pliers, a screwdriver or coat hanger. If you can not reach the blockage, remove baseplate. Remove the base plate by removing 5 screws (see “Adjusting or Replacing Brushroll”).
- 22** If the blockage is not at the base, remove lower tube. Unhook bag spring, releasing bottom of bag.
- 23** Twist lower collar counterclockwise to slide up. Pull tube out of base.
- 24** Check for blockage. If blockage is in the tube, remove with a coat hanger.
- 25** If tube is not blocked, look into fan housing. Remove debris with long-nose pliers, a screwdriver or coat hanger.
- 23** To reassemble, check O-ring on tube, and replace if damaged. Replace tube by first lining up slot at base of tube with tab inside fan housing. Insert tube and push down until the tube is seated. Make sure O-ring is in place against fan housing opening. Replace and tighten collar until collar locking tabs are locked in place. Reattach bag spring.
- 26** Many times blockage occurs due to a full dust bag causing dirt to back down the air flow system. When that happens, the blockage will be at the top of the system, starting in the area where the dust bag connects to the connector assembly.

**Note:** If the above actions do not correct the problem, contact an Oreck authorized service center or call the customer service center. **US: 1-800-989-3535 Canada: 1-888-676-7325**





# Trouble-shooting.

Service problems that appear to be major can often be solved easily. You can be your own troubleshooter by reviewing this guide.

**All other servicing should be done by an Oreck authorized service center.**

Problem	Check	What to do
Cleaner will not run.	<ul style="list-style-type: none"> <li>• Not plugged in properly.</li> <li>• No electricity in wall outlet.</li> </ul>	<ul style="list-style-type: none"> <li>• Be sure cleaner is firmly plugged into wall outlet.</li> <li>• Check electrical source – fuse or circuit breaker.</li> </ul>
Cleaner does not pick up.	<ul style="list-style-type: none"> <li>• Filter Bag is full.</li> <li>• Nozzle or intake pivot clogged.</li> <li>• Belt is broken or stretched.</li> <li>• Brush is worn.</li> <li>• Bag tube clogged.</li> <li>• Bag pores are clogged with fine dust.</li> <li>• Impeller fan is broken.</li> <li>• Revolving brush is not even at both ends.</li> </ul>	<ul style="list-style-type: none"> <li>• Replace filter bag. See “Replacing Disposable Odor Fighting Dust Bag”.</li> <li>• Clear obstruction.</li> <li>• Replace belt.</li> <li>• See “Adjusting or Replacing Brushroll”.</li> <li>• Clear obstruction.</li> <li>• Change bag.</li> <li>• Return to Service Center for repair.</li> <li>• Check bearing seal. Make sure words “Special” or “Normal” at each end.</li> </ul>
Unit still does not operate properly.	<ul style="list-style-type: none"> <li>• Check all the above points.</li> </ul>	<ul style="list-style-type: none"> <li>• Contact Oreck for service.</li> </ul>

# Parts.

All accessories and replacement parts are sold separately. To order, call our customer service group or visit our website. Please have your model number from the data label on the bottom of the unit.

## Accessories

Item	Part Number
Crystal Aroma® Carpet and Room Freshener	AROMAII
Oreck Dry Carpet® Cleaning System	303088

## Replacement Parts

Item	Part Number
Dust Bag, 8 Pack, Saniseal® Odor Fighting Hypo-Allergenic	CCPK8OF
Dust Bag, 8 Pack, Saniseal® Hypo-Allergenic	CCPK8DW
Belts, 3 Pack	0300604

## Customer Service Hotline

**USA: 1-800-989-3535 Canada: 1-888-676-7325**

**website: [www.oreck.com](http://www.oreck.com)**



# Warranty.



ORECK MANUFACTURING COMPANY: (Oreck Manufacturing Company gives you the following limited warranty for this product only if it was originally purchased for residential use, not resale, from Oreck or an Oreck Authorized Retail Dealer.)

Oreck will repair or replace, free of charge, to the original purchaser, any part that is found to be defective in material or workmanship within fifteen (15) years of the date of purchase. This limited warranty applies to normal domestic use. Any commercial use of this product will void this limited warranty. This limited warranty covers the revolving roller brush for one (1) year for residential use only.

This limited warranty does not cover the replacement of expendable or consumable parts such as carbon motor brushes, edge brushes, drive belts, brushes, bulbs, disposable bags and other parts subject to normal wear unless they are defective in material or workmanship.

This limited warranty does not apply to any part subjected to accident, abuse, commercial use, alteration, misuse, damage caused by act of God, the use of voltages other than indicated on the serial number displayed on this product or service of this product by other than Oreck or a participating Factory Authorized Service Center. Oreck does not authorize any person or representative to assume or grant any other warranty obligation with the sale of this product.

Oreck's limited warranty is valid only if you retain proof of purchase from Oreck or an Oreck Authorized Retail Dealer for this product. If you purchase this product from any other source, your purchase is "AS IS," which means Oreck grants you no warranty, and that you, not Oreck, assume the entire risk of the quality and performance of this product, including the entire cost of any necessary servicing or repairs of any defects.

Oreck's liability for damages to you for any costs whatsoever arising out of this statement of limited warranty shall be limited to the amount paid for this product at the time of original purchase, and Oreck shall not be liable for any direct, indirect, consequential or incidental damages arising out of the use or inability to use this product.

Some states do not allow the exclusion or limitation of incidental or consequential damages, so the above limitation or exclusion may not apply to you.

**ALL EXPRESS AND IMPLIED WARRANTIES FOR THIS PRODUCT, INCLUDING IMPLIED WARRANTIES OF MERCHANTABILITY AND FITNESS FOR A PARTICULAR PURPOSE, ARE LIMITED IN DURATION TO THE WARRANTY PERIOD, AND NO WARRANTIES, WHETHER EXPRESS OR IMPLIED, WILL APPLY AFTER THIS PERIOD.**

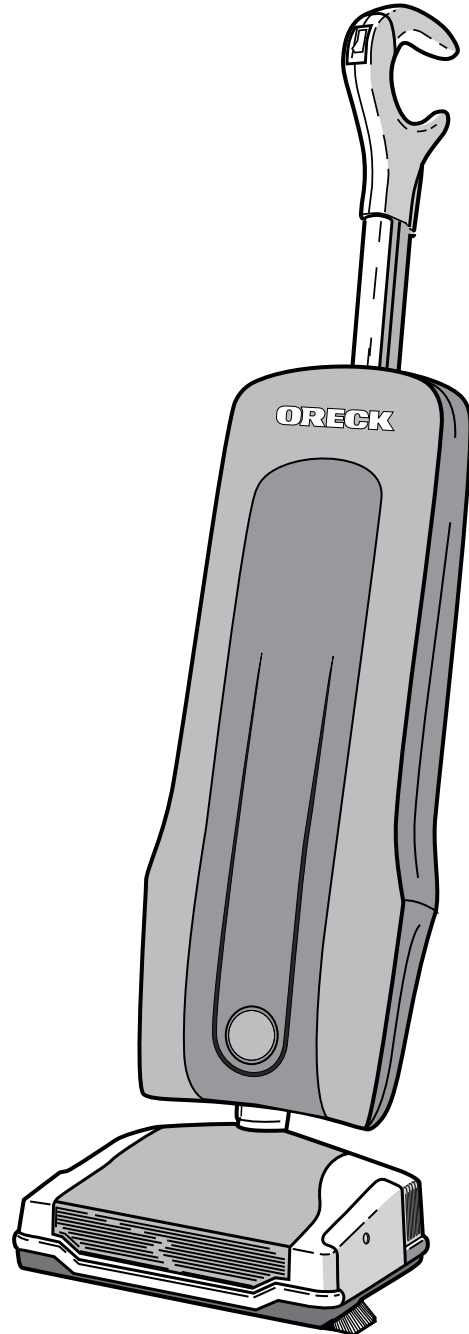
Some states do not allow limitations on the duration of implied warranties, so the above limitation may not apply to you.

This warranty gives you specific legal rights, and you may also have other rights which vary from state to state. If appropriate, see additional information for extended warranty.

# ORECK<sup>®</sup> XL<sup>®</sup>

Aspiradora vertical potente y liviana  
Platino del XL<sup>®</sup> más serie

Guia Del  
Usuario



**ORECK** clean home<sup>™</sup>  
HEALTHIER. EASIER. SMARTER.<sup>™</sup>

**HEPA  
CELOC<sup>®</sup>**  
HYPO-ALLERGENIC FILTERING SYSTEM

**intellashield<sup>™</sup>**  
PROTECTION BEYOND CLEAN

## ¡Importante!

Lea todas las instrucciones cuidadosamente, y guarde para la referencia futura.

## Seguridad.

## Advertencias Generales

**⚠ INSTRUCCIONES IMPORTANTES DE SEGURIDAD**

Cuando utilice un aparato eléctrico, siempre debe seguir precauciones básicas, incluyendo las siguientes:

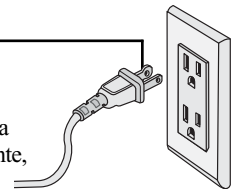
**LEA TODAS LAS INSTRUCCIONES ANTES DE USAR ESTA ASPIRADORA****ADVERTENCIA Para reducir el riesgo de incendio, descarga eléctrica o lesiones:**

- No deje el aparato sin atender cuando esté conectado. Desconéctelo de la toma de corriente cuando no esté en uso y antes de darle servicio.
- No la use en exteriores ni en superficies mojadas.
- No operar la unidad mientras está en posición vertical y trabada.
- No permitir que la unidad funcione mientras esté en cualquier posición fija por cualquier período de tiempo. Mientras esté en funcionamiento, mantener la unidad en movimiento.
- No permita que se use como juguete. Es necesario poner mucha atención cuando la usen los niños o cuando se use cerca de ellos.
- Usela solamente como se describe en este manual. Utilice solamente los aditamentos recomendados por el fabricante.
- No la use con el cordón o clavija dañados. Si la aspiradora no funciona como debería, si se ha caído, dañado, dejado en exteriores, o dejado caer en agua, envíela a un centro de servicio o llame a servicio a clientes al: **US: 1-800-989-3535** **Canada: 1-888-676-7325**
- No tire de ella ni la mueva por el cordón, ni use el cordón como asa, no cierre la puerta sobre el cordón, ni jale el cordón alrededor de bordes o esquinas afiladas. Mantenga el cordón lejos de las superficies calientes.
- No opere el aparato sobre el cordón.
- No lo desconecte jalando el cordón. Para desconectarlo, tome la clavija, no el cordón.
- No manipule la clavija ni el aparato con las manos mojadas.
- No ponga objetos pesados en las aberturas. No lo use con alguna abertura bloqueada; manténgalo libre de polvo, pelusa, cabello y cualquier cosa que pueda reducir el flujo de aire.
- Mantenga el cabello, ropa suelta, dedos y todas las partes del cuerpo lejos de las aberturas y partes móviles.
- No la use para que aspire cualquier cosa que se esté quemando o arrojando humo, como cigarrillos, cerillos o cenizas calientes.
- No la use sin el ensamblaje de la bolsa de filtro en su lugar.
- Apague todos los controles antes de desconectarla.
- Tenga cuidado especial cuando limpie alguna escalera.
- No la use para aspirar líquidos inflamables o combustibles, como gasolina o líquido para encendedores, ni la use en áreas donde puedan estar presentes.
- No use el aparato en espacios cerrados donde puedan emanarse vapores inflamables, explosivos o tóxicos por pintura a base de aceite, adelgazador de pintura, algunas sustancias a prueba de moho, o en un área donde haya presente polvo inflamable.
- No aspire con este aparato material tóxico como blanqueador con cloro, limpiador de drenajes, gasolina, etc.

**GUARDE ESTAS INSTRUCCIONES****Sólo para uso casero**

Un enchufe polarizado tiene una espiga de conexión redondeada y otra recta. El extremo redondeado va en la ranura más larga del tomacorriente.

Para reducir el riesgo de choque eléctrico, este equipo tiene un enchufe polarizado (una lámina es más ancha que la otra). Este enchufe podrá acomodarse de una sola manera en un tomacorriente polarizado. Si el enchufe no se acomoda totalmente en el tomacorriente, invierta el enchufe. Si aun así no se acomoda, comuníquese con personal calificado para que instale el tomacorriente adecuado. No altere el enchufe de ningún modo.



Gracias por comprar nuestra aspiradora vertical Oreck serie XL® U7100 paltino de calidad superior. Es la más silenciosa y potente aspiradora vertical desarrollada por Oreck. La U7100 cuenta con una garantía de 15 años, puestas a punto gratis por 15 años, alta velocidad para limpieza de alfombras, y baja velocidad para limpieza de pisos descubiertos. La filtración HEPA- Celoc® atrapa más del 99,99% de todas las partículas, incluidos el polen, esporas de moho y caspa de mascotas. Y debido a que es una Oreck, puede restaurar la lanilla de su alfombra desde la primera vez que la use.



Para hablar con un representante Oreck llame a:  
USA: **1-800-989-3535** Canada: **1-888-676-7325**



En la Web, apunte y haga clic en: **www.oreck.com**



Visítenos personalmente en uno de los **450** sitios en tiendas. Para encontrar la tienda más cercana, por favor llame al teléfono **888-oreckstore** (888-673-2578) o visite **www.oreckstore.com**.

Disfrute.

Llame.  
Haga clic.

Visite.

# Contenido.



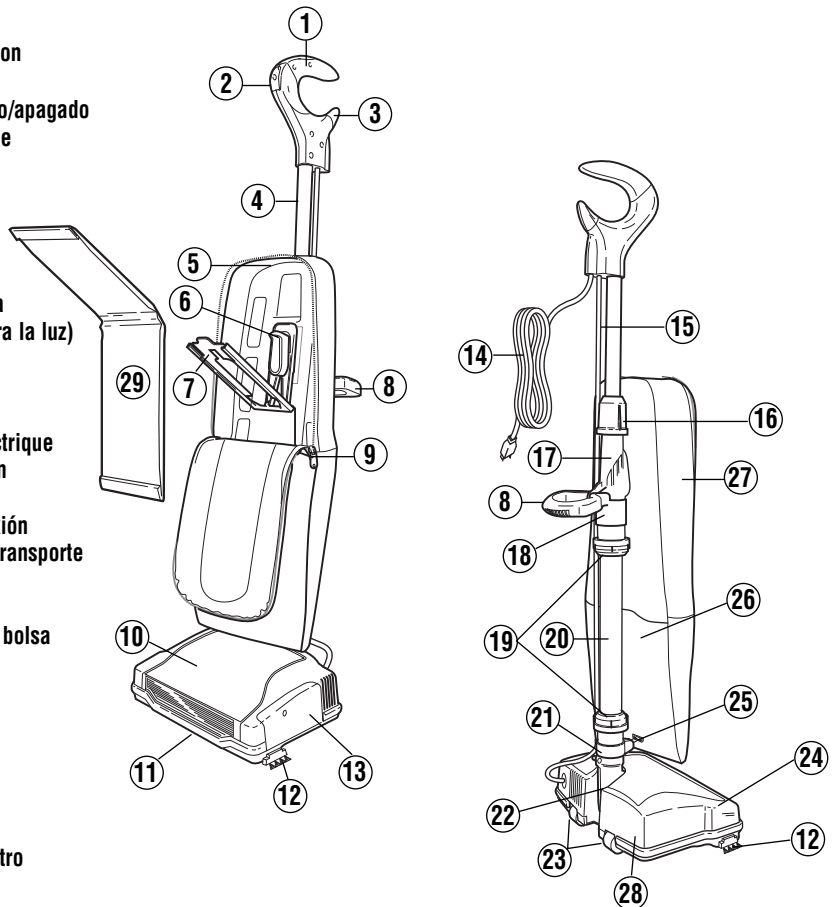
<b>Seguridad</b> .....	11
Advertencias Generales .....	11
<b>Operación</b> .....	12
Lista de piezas .....	12
Ensamblaje del tubo-mango .....	13
Operación de la U7100 .....	13
Guardado .....	13
Recomendaciones de manejo .....	13
<b>Información General</b> .....	14
Bolsas para polvo con filtro de papel desechables .....	14
La tecnología Intellashield™ .....	14
HEPA-Celoc® Sistema de filtrado hipoalergénico .....	14
La correa .....	14
Cartuchos Oreck Fresh Air® .....	14
Lubricación .....	14
<b>Mantenimiento.</b> .....	15
Para reemplazar la bolsa para polvo de filtro .....	15
Cómo reemplazar una correa desgastada .....	15
Para ajustar o reemplazar el cepillo .....	15
Reemplazo del cepillo orillador .....	16
Cambio de la luz LED .....	16
Uso de una tableta Oreck Fresh Air® .....	16
Relleno o bloqueo .....	16
<b>Localización de fallas</b> .....	17
<b>Piezas</b> .....	17
Accesorios y Piezas de repuesto .....	17
<b>Garantía</b> .....	18
<b>Guide D'utilisation Français</b> .....	19

# Operación.

Para ayudarle en la identificación de los componentes de su aspiradora, las piezas se han numerado como sigue.

## Lista de piezas

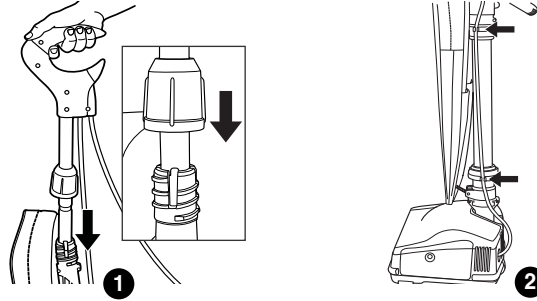
- 1 Mango Helping Hand® con empuñadura blanda
- 2 Interruptor de encendido/apagado
- 3 Abrazadera para el cable
- 4 Tubo del mango
- 5 Rigidizador de la bolsa
- 6 Deflector
- 7 Apoyo de la bolsa
- 8 Asa de transporte
- 9 Sujetador de cremallera
- 10 Panel (incluye lente para la luz)
- 11 Paragolpes principal
- 12 Cepillo orillador
- 13 Puerta de la correa
- 14 Système du cordon électrique
- 15 Cordon de alimentación
- 16 Collar del mango
- 17 Ensamblaje de la conexión
- 18 Abrazadera del asa de transporte
- 19 Collares
- 20 Tubo inferior
- 21 Abrazadera de pinza de bolsa
- 22 Bastidor del ventilador
- 23 Ruedas traseras
- 24 Cubierta
- 25 Resorte de la bolsa
- 26 Cavidad para bolsa
- 27 Bolsa exterior
- 28 Cabeza motriz
- 29 Bolsa para polvo con filtro



# Operación.

## Ensamblaje del tubo-mango

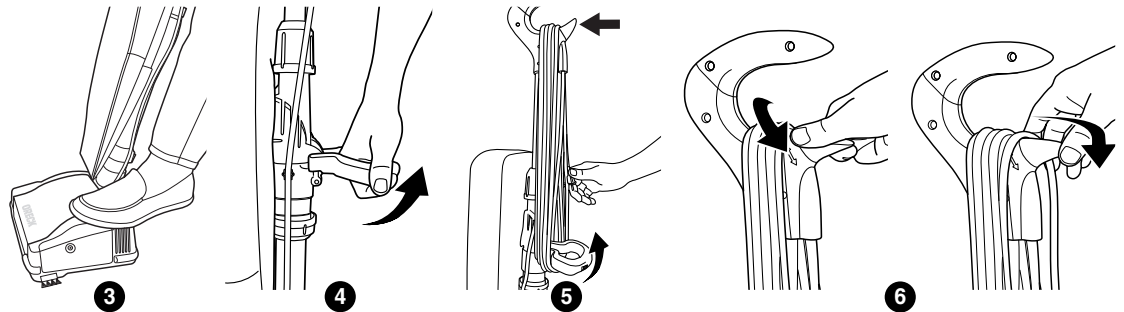
- 1 Alinee la ranura del tubo-mango con la pestaña del conector. Inserte el tubo-mango en el conector. Apriete el collar ubicado en la base del tubo-mango sobre el conector hasta que se asegure, "se escuche un sonido de chasquido".
- 2 Montaje rápido de la cuerda en el clip de la cuerda situado en el lado izquierdo del collar. Deje exceso de la cuerda el al frente de la energía para permitir el movimiento.



## Operación de la U7100

Asegúrese de que la bolsa para polvo desechable eliminadora de olores esté colocada. NO opere la aspiradora sin una bolsa para polvo. Enchufe el cordón de alimentación eléctrica en un tomacorriente, y para comenzar a operar accione el interruptor ON Low (I) – ON High (II) – OFF (O) que está en el ensamblaje del mango.

- 3 **Traba de posición arriba** - Apoye el pie en el cabezal motorizado e incline el mango suavemente hacia atrás para soltar al traba y usar la aspiradora. Vuelva a colocar el mango en posición vertical para enganchar la traba. **Nota:** No permitir que la unidad funcione mientras esté en cualquier posición fija por cualquier período de tiempo. Mientras esté en funcionamiento, mantener la unidad en movimiento.
- 4 **Asa de transporte** - Levante el asa de transporte ubicada en la parte trasera de la aspiradora para poder levantar y transportar fácilmente la máquina y aspirar escaleras. Baje el asa durante el uso para evitar que obstruya el paso.
- 5 **Para guardar fácilmente el cordón eléctrico** - Levante el asa de transporte y enrolle el cordón eléctrico alrededor del asa de transporte y mango Helping Hand®.
- 6 Para soltar el cordón, gire 1/2 vuelta el soltador ubicado en el mango Helping Hand®. Deslice el cordón fuera del mango.



## Guardado

Es posible usar tanto el mango Helping Hand® como el asa de transporte para comodidad y ahorro de espacio de almacenamiento de la aspiradora. Cuelgue la aspiradora del asa de transporte en un gancho bien firme o del mango Helping Hand® en la barra de un armario (closet).

## Recomendaciones de manejo

Esta nueva aspiradora vertical ORECK de alta velocidad es una de las mejores, más rápidas y fuertes unidades en su clase. Le encantará la manera como limpia, cómo cabe por debajo de las cosas, y que es TAN ligera y fácil de usar.

Las siguientes son sólo algunas sugerencias sencillas relacionadas con su operación:

1. Cuando inserte una nueva bolsa desechable para polvo con filtro de papel, PRIMERO INFLELA y ABRA LA BOLSA.
2. Cuando la bolsa para polvo con filtro desechable esté llena, CAMBIELA.
3. Si en cualquier momento la máquina no absorbe adecuadamente o hace un ruido inusual, DEJE DE OPERARLA y déle servicio.
4. Aunque su aspiradora vertical absorbe alfileres, sujetadores de papel y otros objetos pequeños, se recomienda que los retire del suelo antes de aspirar. En caso de no hacerlo el ventilador de succión del motor y el bastidor pueden quedar con daños permanentes.
5. ADVERTENCIA: No use su aspiradora en superficies húmedas o mojadas. Esto provocará daños en la aspiradora y es peligroso para el usuario. Los daños provocados por el uso en superficies húmedas o mojadas no están cubiertos por la garantía.
6. Para obtener un desempeño óptimo, reemplace la correa cada 6 meses.
7. Revise la bolsa para polvo filtrante desechable al menos una vez por mes.
8. NO opere la aspiradora por encima del cordón. El cepillo revolvente puede dañar el cordón.
9. Tenga cuidado al limpiar los bordes y la franja excesivos de la manta con la aspiradora del área.

# Información General.

El desempeño de su nueva aspiradora depende en gran parte del cuidado y el mantenimiento. Las instrucciones de este manual le guiarán para realizar el cuidado y mantenimiento básico. Para obtener muchos años de servicio satisfactorio, lea las instrucciones y manténgalas a la mano para futura referencia.

## Bolsas para polvo con filtro de papel desechables

Las bolsas para polvo con filtro de papel desechables tienen una función muy importante en la eficiencia de su aspiradora ORECK. El objetivo de la bolsa de papel es atrapar la mugre, pero al mismo tiempo debe ser lo suficiente porosa para que el aire pase a través de ella. Si se tapa la bolsa de papel, no puede pasar el aire a través de la aspiradora y no se puede aspirar, independientemente de la potencia de la aspiradora. Aumente la POTENCIA DE LIMPIEZA de su aspiradora cambiando con frecuencia la bolsa.

Para mantener su aspiradora operando con la máxima eficiencia, cambie la bolsa de polvo con frecuencia. NO LLENE LA BOLSA SOBRE LA LÍNEA INDICADA EN LA BOLSA PARA POLVO.

Asegúrese que la bolsa para polvo de filtro de papel esté en la posición adecuada. **Nota:** No todas las bolsas para polvo de papel son iguales. Sus bolsas para polvo desechables de ORECK han sido diseñadas para utilizarse con la aspiradora ORECK y si usa otras bolsas que no sean las bolsas desechables genuinas de ORECK se afectará la capacidad de limpieza de su aspiradora y podría dañarse.

## La tecnología Intellashield™

Al fabricar esta aspiradora vertical, y con el objetivo de proporcionarle una protección antimicrobiana para combatir continuamente el crecimiento de microbios que puedan provocar manchas, olores y degradación de productos, Oreck agregó la tecnología Intellashield™ a varios puntos de contacto, como el mango, bolsa exterior, cubierta superior, carcasa de la lámpara y placa base. Cuando los microbios como las bacterias, moho y hongos entran en contacto con la superficie del producto, Intellashield™ penetra la pared celular e interrumpe funciones clave, impidiendo así que crezcan o se reproduzcan. Su Oreck se mantendrá más limpia, por más tiempo.

## HEPA-Celoc® Sistema de filtrado hipoalérgico

La bolsa exterior CELOC de su aspiradora es de un material médico de alta filtración diseñado para filtrar la más pequeña partícula de polvo. Es importante que se limpie el interior de la bolsa exterior. Aspire el interior de la bolsa exterior o lave a mano con agua caliente, volteada al revés, y seque al aire. Para mejores resultados, una vez al año debe reemplazarse la bolsa exterior CELOC. Una vez al mes debe reemplazarse la bolsa de polvo interior desechable de capas CELOC, incluso si no está llena. Si se utiliza en áreas extremadamente sucias cámbiela con más frecuencia. Incremente la potencia de limpieza de su aspiradora cambiando la bolsa con frecuencia.

## La correa

La correa de su aspiradora controla la velocidad del cepillo revolvente y es muy importante para la operación eficaz de la aspiradora. Si la correa se corta o se estira, provocará que el cepillo revolvente se detenga completamente o que se haga más lento. Vea las instrucciones en el manual para la correa revolvente.

**Nota:** En la placa base de su aspiradora se almacena una correa extra. Cuando compre las correas de repuesto, use SOLAMENTE correas genuinas de ORECK. Otras correas que no sean de ORECK no operarán el cepillo revolvente de manera correcta y pueden provocar tensión indebida, la cual provocará daños al motor y a los cojinetes del cepillo. Si utiliza otras correas que no sean de ORECK se anulará la garantía.

## Lubricación

Los cojinetes del motor de la aspiradora se lubrican y sellan en la fábrica. No se requiere lubricación adicional.

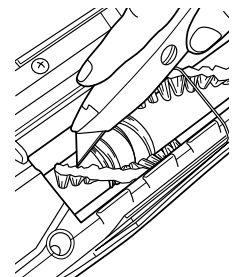
## PRECAUCION - Pisos de madera, superficies suaves de madera (vinilo, baldosas de asfalto, etc.) y pisos encerados

Utilizar los métodos de limpieza para pisos y terminaciones de pisos recomendados por el fabricante. El cepillo del rodillo también puede manchar las terminaciones muy suaves. No operar la unidad mientras que se encuentre en posición vertical o trancada. No permitir que la unidad funcione mientras que esté en cualquier posición estacionaria por cualquier plazo de tiempo. Mantener la unidad en movimiento mientras que esté funcionando.

**Nota:** Por lo menos una vez al mes, revise y retire el exceso de pelusa, hilos o cabello del cepillo revolvente. Las ranuras de limpieza patentadas en el rodillo de cepillo facilitan la limpieza.

Limpie el exterior de la aspiradora con una tela húmeda. También limpie el área de ensamblaje del deflector de la conexión, la base de la aspiradora y el área del bastidor del ventilador. Si hubiera polvo en la bolsa exterior, aspirelo o sacúdalo.

Un poco de mantenimiento preventivo mantendrá su aspiradora como nueva y asegurará la eficacia continua de limpieza.



# Mantenimiento.

## Para reemplazar la bolsa para polvo de filtro

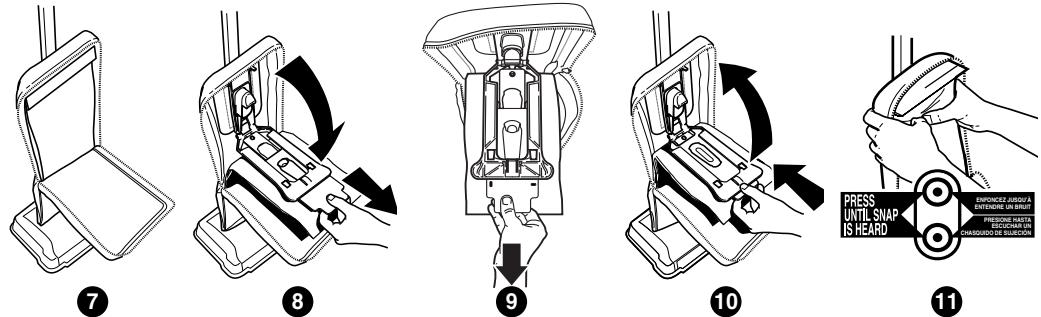
**⚠ ADVERTENCIA: Desconecte el cordón de la toma eléctrica antes de dar servicio.**

### RETIRO DE LA BOLSA:

- 7 Abra completamente el cierre de cremallera de la bolsa exterior.
- 8 Tire del collar de cartón de la bolsa para soltar del conector la puerta de apoyo de la bolsa. La puerta de apoyo de la bolsa se abre hacia abajo.
- 9 Tire suavemente el collar de cartón hacia arriba y hacia afuera del apoyo de la bolsa. El sello contra polvo Saniseal™ se cerrará automáticamente.

### INSTALACION DE LA BOLSA:

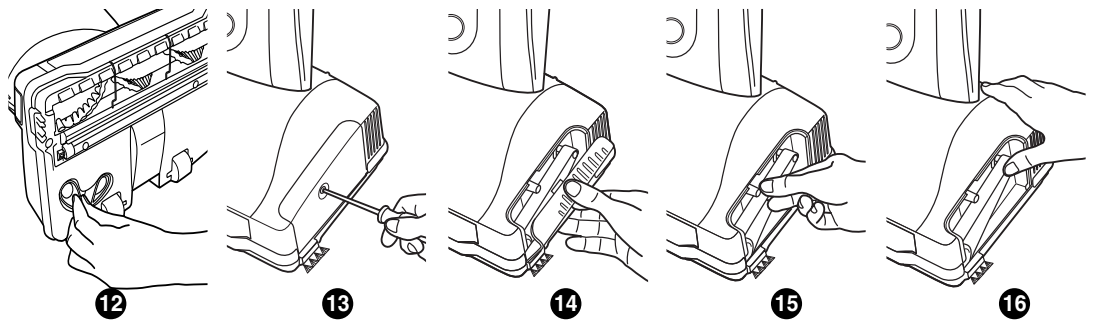
- 10 Deslice el collarín de cartón en la puerta de carga de la bolsa hasta que el agujero de lengüeta del sello para polvo de cierre automático esté inmobilizado en su posición.
- 11 Empuje firmemente con ambos pulgares la puerta de carga de la bolsa sobre el punto indicado hasta que encaje.



## Cómo reemplazar una correa desgastada

**⚠ ADVERTENCIA: Desconecte el cordón de la toma eléctrica antes de dar servicio.**

- 12 Retire la correa de repuesto del canal de almacenamiento.
- 13 Retire la puerta quitando el tornillo de fijación ubicado en el costado del cabezal motorizado.
- 14 Pliegue la puerta alejándola del cabezal motorizado.
- 15 Retire la correa del eje impulsor del motor y de la polea del cepillo de rodillo.
- 16 Pase la correa nueva sobre la polea del rodillo de cepillo. Coloque el extremo opuesto de la correa en el eje impulsor del motor.
- 14 Vuelva a poner la puerta, colocando la lengüeta inferior de la puerta en las ranuras ubicadas dentro del cabezal motorizado y luego empuje la puerta para cerrarla.
- 13 Coloque el perno de fijación y apriételo.



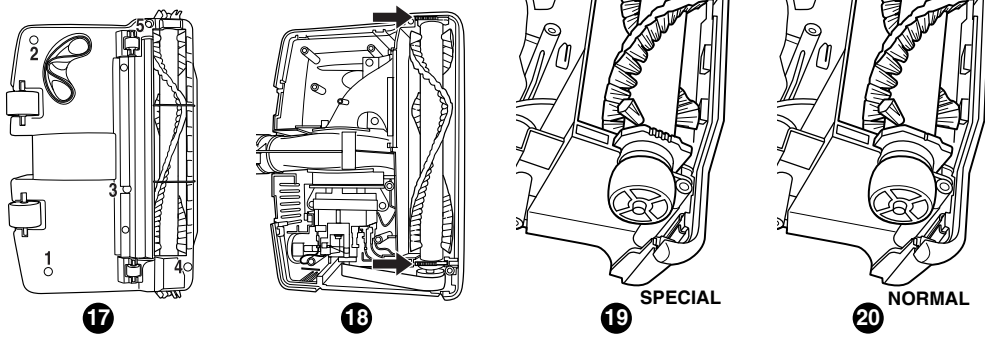
## Para ajustar o reemplazar el cepillo

**⚠ ADVERTENCIA: Desconecte el cordón de la toma eléctrica antes de dar servicio.**

El vacío de su Oreck viene con el rodillo del cepillo fijado en la posición "NORMAL" para la mayoría de los tipos de alfombras. Cuando utilice la aspiradora principalmente en alfombras berberes, puede ajustar el rodillo del cepillo en la posición "SPECIAL" para obtener el mejor desempeño.

- 17 Quite la placa base retirando 5 tornillos. Luego quite la correa y el rodillo del cepillo del bastidor.
- 18 Dé vuelta las tarjetas de extremos del rodillo de cepillo para que muestren la palabra "SPECIAL" y vuelva a colocarlas en los canales de sujeción de la caja.
- 19 **Nota:** La tarjeta marcada "SPECIAL" tiene varias nervaduras encima de la tarjeta de extremo.
- 20 La posición de la tarjeta de extremo del cepillo marcada "NORMAL" no tiene nervaduras. Cuando de vuelta los cojinetes, asegúrese que las posiciones de las dos tarjetas de extremos sean iguales y que estén vueltas hacia arriba cuando reponga el rodillo de cepillo.
- 16 Monte nuevamente la correa.
- 17 Monte nuevamente la placa base.

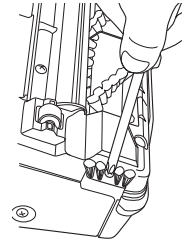




## Reemplazo del cepillo orillador

**⚠ ADVERTENCIA:** Desconecte el cordón de la toma eléctrica antes de dar servicio.

Invierta el cabezal motorizado. Con la placa de base vuelta hacia arriba, retire el tornillo ubicado en el centro de cada cepillo orillador. Retire los dos cepillos orilladores y reemplácelos con nuevos. Coloque los dos tornillos y apriételos.

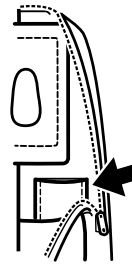


## Cambio de la luz LED

Si el ensamblaje de la luz no enciende durante la operación, debe ser reemplazado por un centro autorizado de servicio Oreck.

## Uso de una tableta Oreck Fresh Air®

Su aspiradora ORECK U7100 tiene un bolsillo para una tableta especial ORECK FRESH AIR®. Este bolsillo está ubicado dentro de la bolsa de tela exterior, en la zona en la que la bolsa para polvo filtrante eliminadora de olores se une al tubo de admisión. Inserte una tableta en el bolsillo, si lo desea.



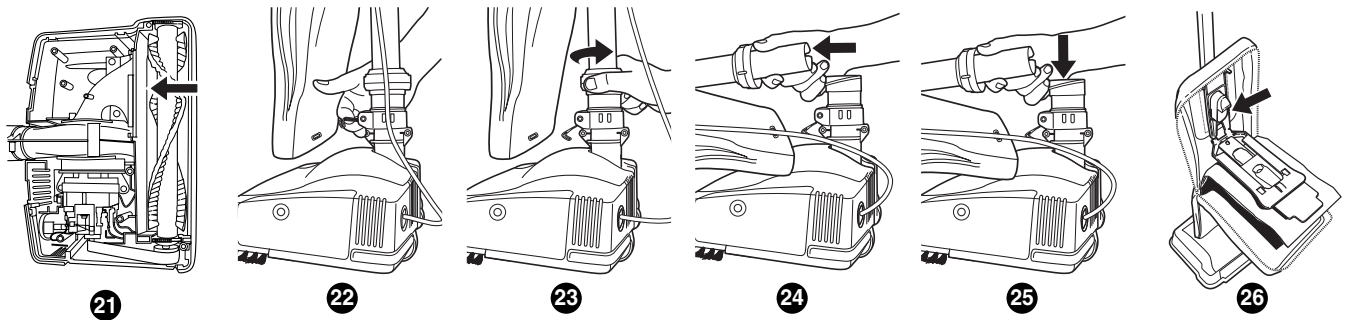
## Relleno o bloqueo

**IMPORTANTE:** En las alfombras nuevas y afelpadas, se puede atorar el tubo de admisión y el tubo inferior. Esto se debe al exceso de pelusa y recortes sueltos en la alfombra. Es posible que el atoramiento ocurra durante las primeras limpiezas hasta que se elimine todo el material suelto. Debido a la gran eficiencia de la aspiradora, muchas alfombras viejas causan atoramiento cuando se limpian por primera vez con esta aspiradora. Si su aspiradora no aspira debidamente, o produce un ruido anormal y la bolsa exterior no se infla, proceda de la manera siguiente:

**⚠ ADVERTENCIA:** Desconecte el cordón de la toma eléctrica antes de dar servicio.

- 21 Revise que la boca de la abertura de entrada no esté bloqueada. Vea la ilustración A. Si hubiera un bloqueo, retírelo con unos alicates largos, un destornillador o una percha para ropa. Si no puede alcanzar el bloqueo, quite la placa base.
- 22 Si el bloqueo no está en la base, retire el tubo inferior. Desenganche el resorte retenedor, liberando la parte inferior de la bolsa.
- 23 Gire el collarín en sentido contrario de las agujas del reloj para deslizarlo hacia arriba. Jale el tubo fuera de su base.
- 24 Verifique el bloqueo. Si está en el tubo, retírelo con una percha para ropa.
- 25 Si el tubo no está bloqueado, vea el bastidor del ventilador. Retire los residuos con unos alicates largos, un destornillador o una percha para ropa.
- 23 Para volver a armar, revise la junta tórica en el tubo y reemplácela si está dañada. Coloque el tubo alineando primero la ranura en la base del tubo con la lengüeta dentro de la envuelta del ventilador. Inserte el tubo y empújelo hacia abajo hasta que se asiente. Asegúrese que la junta tórica esté contra el hueco de la envuelta del ventilador. Coloque el collar y apriételo hasta que las lengüetas de fijación estén trabadas en su lugar. Enganche el resorte de la bolsa.
- 26 Muchas veces ocurre un bloqueo debido a que la bolsa para polvo está llena, lo que provoca que el polvo baje al sistema de flujo de aire. Cuando eso sucede, el bloqueo estará en la parte superior del sistema, comenzando en el área donde la bolsa para polvo se conecta al ensamblaje de la conexión.

**Nota:** Si las medidas anteriores no corrigen el problema, llame a un centro de servicio autorizado ORECK o llame al centro de servicio a clientes. **US: 1-800-989-3535 Canada: 1-888-676-7325**



# Localización de fallas.

Algunos problemas de servicio que parecen ser importantes, pueden a menudo resolverse fácilmente. Consultando esta guía, usted puede ser su propio localizador de fallas.

**Todo otro servicio debe realizarlo un centro autorizado de servicio Oreck.**

Problema	Posible Causa	Áreas a Verificar
<b>La aspiradora no funciona.</b>	<ul style="list-style-type: none"> <li>No está bien conectada.</li> <li>No hay electricidad en la toma de corriente en la pared.</li> </ul>	<ul style="list-style-type: none"> <li>Be sure cleaner is firmly plugged into wall outlet.</li> <li>Revise el fusible de la fuente de electricidad o el interruptor automático del circuito.</li> </ul>
<b>El aparato no aspira.</b>	<ul style="list-style-type: none"> <li>La bolsa del filtro está llena.</li> <li>La boquilla o el pivote de admisión está tapado.</li> <li>La correa está rota o estirada.</li> <li>El cepillo está desgastado.</li> <li>El tubo de la bolsa está tapado.</li> <li>Los poros de la bolsa están tapados con polvo fino.</li> <li>El impulsor del ventilador está roto.</li> <li>El cepillo revolvente no está uniforme en ambos extremos.</li> </ul>	<ul style="list-style-type: none"> <li>Reemplace la bolsa del filtro. Vea la sección "Cómo instalar la bolsa para polvo de filtro de papel."</li> <li>Limpie las obstrucciones.</li> <li>Reemplace la correa.</li> <li>Reemplace el cepillo si las cerdas no se extienden más allá de la placa base.</li> <li>Limpie la obstrucción.</li> <li>Cambie la bolsa.</li> <li>Envíe al Centro de Servicio para su reparación.</li> <li>Verifique el sello del cojinete. Asegúrese que las palabras "normal" o "special" correspondan en cada extremo.</li> </ul>
<b>La unidad todavía no funciona correctamente.</b>	<ul style="list-style-type: none"> <li>Compruebe todos los puntos antedichos.</li> </ul>	<ul style="list-style-type: none"> <li>Contacto Oreck para el servicio.</li> </ul>

## Piezas.

Todas partes de accesorios y reemplazo son vendidas separadamente. Para ordenar, para llamar nuestro grupo de servicio de atención al cliente o visitar nuestro sitio web. Tenga por favor su número modelo de los datos marca en el fondo de la unidad.

### Accesorios

Elemento	Número de pieza
Desodorante de alfombras y ambientes Crystal Aroma	AROMAI
Sistema de limpieza Oreck Dry Carpet®	303088

### Piezas de repuesto

Elemento	Número de pieza
Paquete de 8 bolsas para polvo Saniseal®, Hipoalergénica El Luchar Del Olor	CCPK8OF
Paquete de 8 bolsas para polvo Saniseal®, Hipoalergénica	CCPK8DW
Correas, paquete de 3	0300604

### Línea gratuita de servicio al cliente

En E. U. de A.: 1-800-989-3535 En Canadá: 1-888-676-7325

Sitio Web: [www.oreck.com](http://www.oreck.com)

# Garantía.



ORECK MANUFACTURING COMPANY: (ORECK le ofrece la siguiente garantía limitada para este producto solamente si se compró originalmente para usarse, no para revenderse, de ORECK o de un distribuidor minorista autorizado por ORECK.)

Oreck reparará o reemplazará gratuitamente al comprador original cualquier pieza que resulte defectuosa en los materiales o la fabricación, dentro del quince (15) años siguientes a la fecha de compra. Esta garantía limitada se aplicará al uso doméstico normal. Cualquier uso comercial de este producto anulará esta garantía limitada. Esta garantía limitada ampara el cepillo rotatorio de rodillo durante un (1) año, solamente para uso residencial.

Esta garantía limitada no ampara el reemplazo de piezas desechables o fungibles, tales como los cepillos de carbono para el motor, los cepillos del borde, las correas de transmisión, las bombillas, las bolsas desechables y demás piezas susceptibles de desgaste normal, a menos que sean defectuosas en los materiales o la fabricación.

Esta garantía limitada no aplica para cualquier parte sujeta a accidente, abuso, al uso comercial del abuso, alteración, uso indebido, daños provocados por incendio o causas de fuerza mayor, uso de voltajes diferentes a los indicados en la placa del número de serie de este producto, o el servicio de este producto por alguien que no forme parte de ORECK o de un centro de servicio autorizado de fábrica de ORECK.

La garantía limitada de ORECK no autoriza a cualquier persona o representante a asumir u otorgar cualquier otra obligación de garantía con la venta de este producto. La garantía limitada de ORECK es válida solamente si mantiene su comprobante de compra para este producto de ORECK o de un distribuidor minorista autorizado por ORECK. Si compra este producto de cualquier otra fuente, su compra es "TAL CUAL", lo que significa que ORECK no le otorga garantía alguna, y que usted, no ORECK asume el riesgo total de la calidad y el desempeño de este producto, incluyendo el costo total de cualquier servicio o reparaciones necesarias de cualquier defecto.

La responsabilidad por daños de ORECK para usted por cualquier costo que surja por esta declaración de garantía limitada se limitará al monto pagado por este producto al momento de la compra original, y ORECK no será responsable de cualquier daño directo, indirecto, consecutual o incidental que surja por el uso o incapacidad de uso de este producto.

Algunos estados no permiten la exclusión o la limitación de daños incidentales o consecutuales, así que la imitación o exclusión anterior puede no aplicar para usted.

**TODAS LAS GARANTIAS EXPRESAS E IMPLICITAS PARA ESTE PRODUCTO, INCLUYENDO LAS GARANTIAS IMPLICITAS DE CAPACIDAD DE COMERCIALIZACION Y APTITUD PARA UN PROPOSITO EN PARTICULAR, ESTAN LIMITADAS EN DURACION AL PERIODO DE LA GARANTIA, Y NO APLICARA NINGUNA GARANTIA, EXPRESA O IMPLICITA, DESPUES DE ESTE PERIODO.**

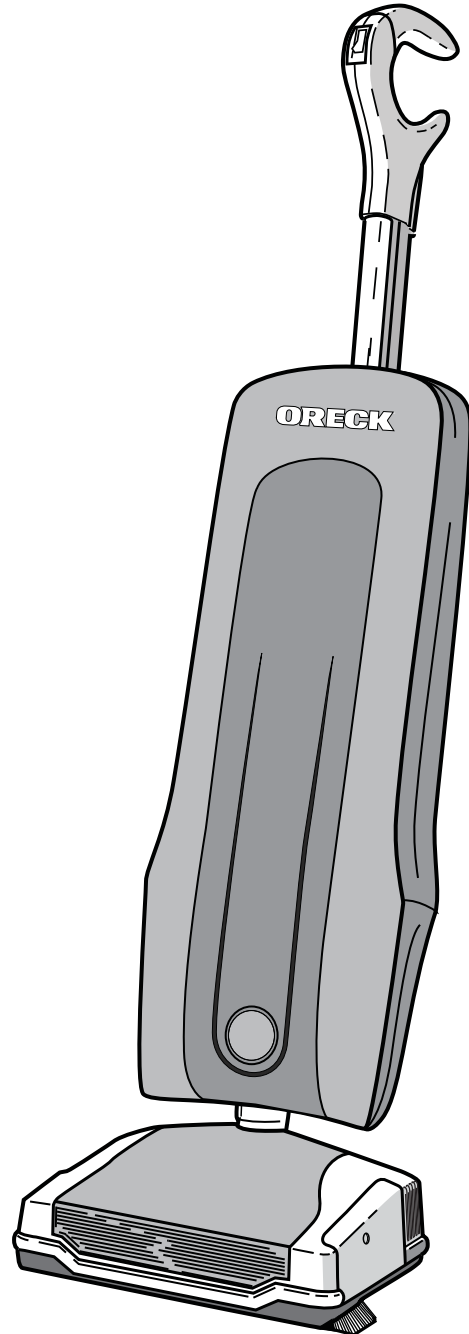
Algunos estados no permiten las limitaciones en la duración de las garantías implícitas, así que la limitación anterior puede no aplicar para usted.

Esta garantía le concede derechos legales específicos, y puede también tener otros derechos que varían de estado a estado.

# ORECK<sup>®</sup> XL<sup>®</sup>

Aspirateur-balai puissant et léger  
Platine de XL<sup>®</sup> plus la série

Guide  
D'utilisation



**ORECK** clean home<sup>™</sup>  
HEALTHIER. EASIER. SMARTER.<sup>™</sup>

**HEPA  
CELOC<sup>®</sup>**  
HYPO-ALLERGENIC FILTERING SYSTEM

**intellashield<sup>™</sup>**  
PROTECTION BEYOND CLEAN

## Important!

Lisez toutes les instructions soigneusement, et gardez pour la future référence.

Sécurité.

## Avertissements Généraux

**⚠️ CONSIGNES DE SÉCURITÉ IMPORTANTES**

Lorsque vous utilisez un appareil électroménager, vous devez toujours prendre certaines précautions de base, y compris les suivantes:

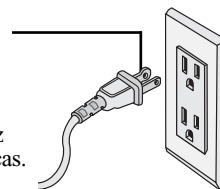
**LIRE TOUTES LES INSTRUCTIONS AVANT D'UTILISER CET ASPIRATEUR****AVERTISSEMENT Pour réduire les risques d'incendie, d'électrocution et de blessure:**

- Ne jamais laisser l'appareil branché sans surveillance. L'appareil doit être débranché après chaque utilisation et avant toute réparation.
- Ne jamais utiliser à l'extérieur ou sur une surface humide.
- Ne faites pas fonctionner l'unité dans la position verticale verrouillée.
- Le faites pas fonctionner l'unité pendant une longue période en position stationnaire. Continuez de déplacer l'unité lorsqu'elle est en marche.
- Ne doit pas servir de jouet. Une surveillance attentive est nécessaire lorsque l'appareil est utilisé par ou à proximité d'un enfant.
- Utilisez uniquement selon les instructions figurant dans ce manuel. Utiliser uniquement les accessoires recommandés par le fabricant.
- Ne jamais utiliser si le cordon d'alimentation ou la fiche de connexion sont endommagés. Si l'appareil ne fonctionne pas normalement, s'il a été échappé, s'il a été endommagé, s'il a été laissé à l'extérieur ou s'il est tombé dans l'eau, il faut le retourner à un centre de service après-vente ou appeler le service à la clientèle au: **US: 1-800-989-3535 Canada: 1-888-676-7325**
- Ne jamais tirer ou transporter l'appareil par le cordon d'alimentation, ni utiliser le cordon en guise de poignée, ni fermer une porte sur le cordon, ni tirer le cordon autour d'un coin à angle pointu. Garder le cordon à l'écart des surfaces chaudes.
- Ne pas faire avancer l'appareil sur le cordon.
- Ne jamais débrancher l'appareil en tirant sur le cordon. Pour débrancher, saisir la fiche et non le cordon.
- Ne jamais manipuler la fiche de connexion et l'appareil avec les mains humides.
- Ne jamais insérer d'objet dans les ouvertures. Ne pas utiliser si des ouvertures sont bloquées. Elles doivent être exemptes de poussière, de charpie, de cheveux et de toute autre substance pouvant réduire le débit d'air.
- Garder les cheveux, les vêtements amples, les doigts et toutes les parties du corps à bonne distance des ouvertures et des pièces mobiles.
- Ne jamais utiliser pour ramasser des substances chaudes ou fumantes, comme des cigarettes, des allumettes ou des cendres chaudes.
- Ne jamais utiliser sans sac filtrant.
- Avant de débrancher, arrêter toutes les commandes.
- Redoubler de prudence lors du nettoyage d'escaliers.
- Ne jamais utiliser pour ramasser des liquides inflammables ou combustibles, comme de l'essence à moteur ou à briquet.
- Ne jamais utiliser l'appareil dans un espace clos où se dégage des vapeurs inflammables, explosives ou toxiques provenant d'une peinture à l'huile, d'un diluant à peinture, de substances antimites, ni dans un espace où il y a des poussières inflammables.
- Cet appareil ne doit jamais servir à ramasser des substances toxiques comme la Javel, les produits de débouchage, l'essence, et.

**CONSERVER CES INSTRUCTIONS  
USAGE MÉNAGER UNIQUEMENT**

La fiche polarisée comporte une broche ronde et une broche plate. La ronde entre dans la plus longue fente de la prise secteur.

Pour réduire le risque de commotion électrique, cet équipement a une fiche d'alimentation polarisée (une lame est plus large que l'autre). Cette fiche entre dans une prise polarisée d'une seule façon. Si la fiche n'entre pas, inversez-la. Si elle n'entre toujours pas contactez un électricien qualifié pour installer une prise convenable. Ne modifiez la fiche en aucun cas.



Merci d'avoir acheté notre aspirateur-balai haut de gamme Oreck Série XL® U7100 platine. C'est le plus silencieux et le plus puissant jamais développé par Oreck. Ce U7100 porte une garantie de 15 ans, avec des mises au point gratuites durant cette période. Il tourne à grande vitesse pour nettoyer la moquette, et à plus faible vitesse pour les sols nus. Son filtrage HEPA-Celoc® retient plus de 99,99% de toutes les particules, y compris pollen, spores de moisissures et squames animales. Et parce que c'est un Oreck, il peut remettre en état le velouté de votre moquette dès votre premier passage dessus.



Pour parler à un agent chez Oreck, téléphonez au: USA: **1-800-989-3535** Canada: **1-888-676-7325**



Sur Internet, allez à l'adresse: **www.oreck.com**



Venez nous voir en personne dans l'un de nos **450** magasins. Pour trouver le plus proche, veuillez appeler à **888-oreckstore** (888-673-2578) ou visiter notre site **www.oreckstore.com** puis cliquer pour localiser un magasin en haut à droite de la page d'accueil.

Appréciez.

Appelez.  
Cliquez.

Rencontrez.

# Table des Matières.



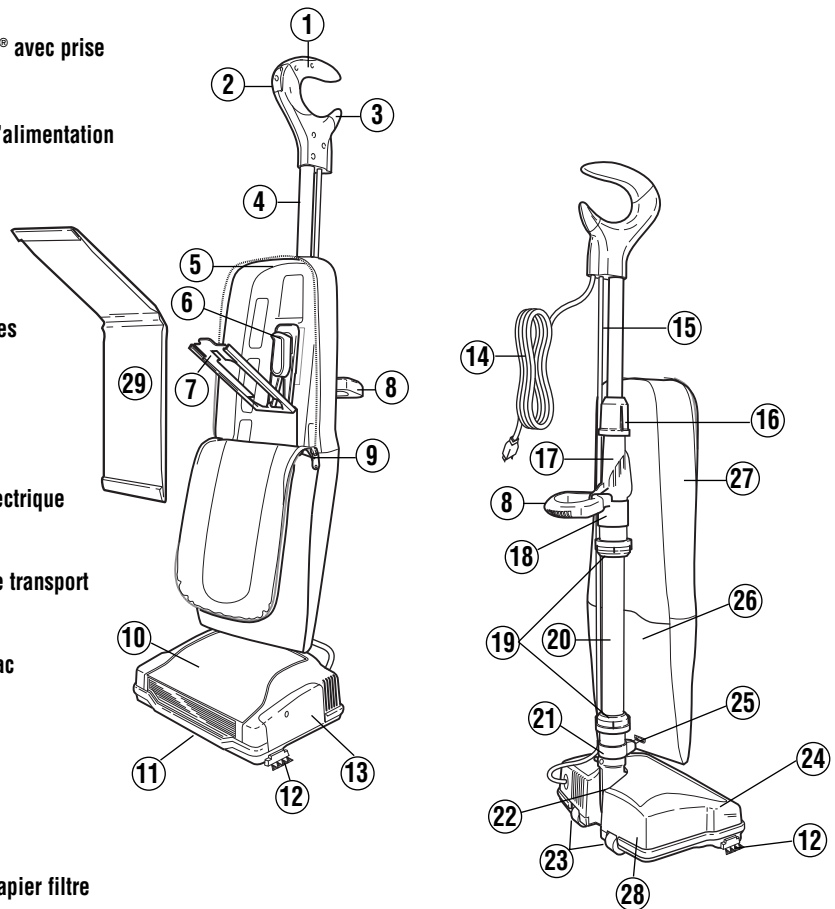
<b>Sécurité</b> .....	20
Avertissements Généraux .....	20
<b>Fonctionnement</b> .....	21
Liste de pièces .....	21
Assemblage du tube de manche .....	22
Utilisation du U7100 .....	22
Entreposage .....	22
Recommandations d'utilisation .....	22
<b>Informations Générales</b> .....	23
Sacs à poussière jetables en papier filtre .....	23
La technologie Intellashield™ .....	23
HEPA-Celoc® Système de filtre hypoallergique .....	23
Courroie .....	23
Lubrification .....	23
<b>Entretien</b> .....	24
Remplacement du sac à poussières filtrant .....	24
Remplacement d'une courroie usée .....	24
Réglage ou remplacement du balai .....	24
Remplacement du cylindre brossier .....	25
Remplacement de l'éclairage à DEL .....	25
Utilisation d'une tablette Oreck Fresh Air® .....	25
Blocage ou bourrage .....	26
<b>Dépannage</b> .....	26
<b>Pièces</b> .....	27
Accessoires et Pièces de Remplacements .....	27
<b>Garantie</b> .....	27

# Fonctionnement.

Pour vous aider à identifier les composants de votre aspirateur, les pièces sont repérées ci-contre.

## Liste de pièces

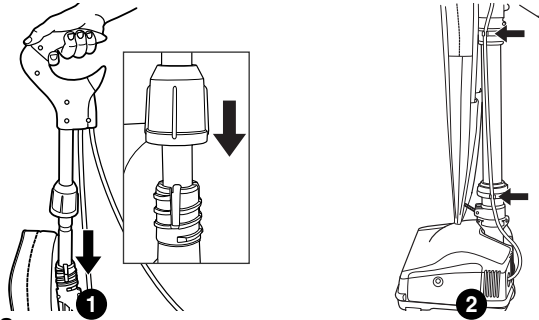
- 1 Poignée Helping Hand® avec prise douce
- 2 Interrupteur principal
- 3 Crochet pour cordon d'alimentation
- 4 Tube de poignée
- 5 Raidisseur de sac
- 6 Déflecteur
- 7 Berceau de sac
- 8 Poignée de transport
- 9 Fermeture à glissière
- 10 Carénage (avec lentilles d'éclairage)
- 11 Pare-chocs principal
- 12 Brosse de lustrage
- 13 Porte de courroie
- 14 Cordon d'alimentation
- 15 Système du cordon électrique
- 16 Collier de poignée
- 17 Connecteur
- 18 Fixation de poignée de transport
- 19 Colliers
- 20 Tube inférieur
- 21 Fixation d'agrafe de sac
- 22 Boîtier du ventilateur
- 23 Roues arrière
- 24 Couvercle
- 25 Ressort de sac
- 26 Poche de sac
- 27 Sac extérieur
- 28 Tête motorisée
- 29 Sac à poussières en papier filtre



# Fonctionnement.

## Assemblage du tube de manche

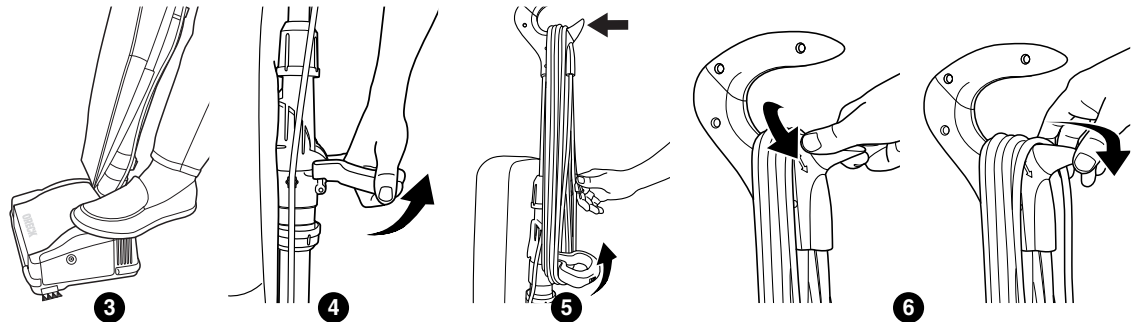
- ❶ Aligner la fente du tube de manche avec le taquet dans le connecteur. Insérer le tube de poignée dans le collecteur. Serrer le collier à la base du tube de manche sur le connecteur jusqu'à ce qu'il verrouille par encliquetage.
- ❷ Corde instantanée dans l'agrafe de corde située du côté gauche du collier. Laissez la corde excessive à la tête de puissance pour permettre le mouvement.



## Utilisation du U7100

Assurez-vous que le sac à poussière filtrant jetable est bien en place. **NE FAITES PAS** fonctionner le nettoyeur sans son sac à poussière papier. Enfichez l'extrémité du cordon dans une prise secteur et appuyez sur le commutateur de l'assemblage de poignée - **On Low (I) - On High (II) - OFF (O)** - quand vous êtes prêt à démarrer.

- ❸ **Verrouillage position haute** - Placez le pied sur l'électrobrosse et ramenez doucement la poignée en arrière pour relâcher le verrouillage afin de fonctionner en aspirateur. Ramenez la poignée en position complètement haute pour verrouiller à nouveau. **Note:** Ne faites pas fonctionner l'unité dans la position verticale verrouillée. Le faites pas fonctionner l'unité pendant une longue période en position stationnaire. Continuez de déplacer l'unité lorsqu'elle est en marche.
- ❹ **Poignée de transport** - Levez la poignée de transport située à l'arrière de l'appareil pour faciliter son lavage, son transport, ou pour aspiration dans un escalier. Rabaissez cette poignée en usage normal pour éliminer la gêne.
- ❺ **Rangement facile du cordon** - Levez la poignée de transport et enroulez le cordon autour de la poignée de transport et de la poignée Helping Hand®.
- ❻ Pour relâcher le cordon, tournez d'un demi tour le débrayage de cordon situé sur la poignée Helping Hand®.



## Entreposage

La poignée Helping Hand® comme la poignée de transport peuvent être utilisées pour un rangement commode en espace restreint du nettoyeur. Pendez le nettoyeur par sa poignée de transport sur un piton solide, ou accrochez-le par sa poignée Helping Hand® sur une tringle d'armoire.

## Recommandations d'utilisation

Ce nouvel aspirateur vertical rapide ORECK est l'un des appareils les plus solides, rapides et sophistiqués de sa catégorie. Vous apprécierez sa façon de nettoyer et de passer sous les meubles. Vous constaterez également qu'il est très léger et facile à utiliser.

Voici quelques suggestions simples concernant son utilisation:

1. Lorsque vous insérez un nouveau sac à poussières jetable, commencez par le secouer, puis ouvrez-le.
2. Lorsque le sac à poussières jetable est plein, **REPLACEZ-LE**.
3. Si l'appareil vient à mal nettoyer ou à produire un bruit inhabituel, **DÉBRANCHEZ-LE** et faites les réparations nécessaires.
4. Même si votre aspirateur vertical ramasse les épingles à cheveux, les trombones à papier et d'autres petits objets, il est préférable de les ramasser à la main avant de passer l'aspirateur. Autrement, vous risquez d'endommager de façon permanente le mécanisme de succion et son boîtier.
5. **AVERTISSEMENT:** N'utilisez jamais l'aspirateur sur une surface mouillée ou humide. Cela pourrait endommager l'aspirateur et blesser l'utilisateur. Les dommages causés par une utilisation sur une surface mouillée ou humide ne sont pas couverts par la garantie.
6. Pour une performance optimale, remplacez la courroie tous les 6 mois.
7. Vérifiez le sac à poussière jetable au moins une fois par mois.
8. Remplacez le sac à poussières jetable au moins une fois par mois, même s'il n'est pas plein! Les poussières accumulées dans le sac peuvent dégager des odeurs, attirer la moisissure, favoriser le développement des bactéries et nuire au bon fonctionnement de l'appareil.
9. Faites attention en nettoyant à l'aspirateur les bords et la frange finis de couverture de zone.



# Informations Générales.

Les performances de votre nouvel aspirateur dépendent considérablement de l'entretien et des soins que vous lui accordez. Les instructions fournies dans ce manuel vous aideront à exécuter les procédures d'entretien appropriées. Pour que votre appareil fonctionne de façon satisfaisante pendant de nombreuses années, lisez les instructions et gardez-les à portée de main pour référence future.

## Sacs à poussière jetables en papier filtre

Les sacs à poussière jetables en papier filtre sont un élément très important de l'efficacité de votre aspirateur ORECK. Le sac à poussières doit attraper les saletés, mais il doit également être suffisamment poreux pour laisser passer l'air. Si le sac en papier se bouche, aucun air ne peut passer et le nettoyage ne peut se faire, quelle que soit la puissance de l'aspirateur. Vous pouvez augmenter la puissance de nettoyage de votre appareil en remplaçant souvent le sac.

Pour que votre aspirateur conserve une efficacité maximale, remplacez fréquemment le sac à poussière. Ne remplissez pas le sac au-delà de la ligne de remplissage.

Assurez-vous que le sac à poussières jetable en papier filtre est correctement installé. **Note:** Les sacs à poussière en papier ne sont pas tous identiques. Vos sacs à poussière jetables ORECK ont été spécialement conçus pour les aspirateurs ORECK et l'utilisation de sacs jetables ne portant pas la marque ORECK risque d'affecter la puissance de nettoyage de votre appareil et même de l'endommager.

## La technologie Intellashield™

Oreck a ajouté la technologie Intellashield™ sur divers points critiques, incluant poignée, sac extérieur, couvercle du dessus, logement d'éclairage et socle de base, pour la fabrication de l'aspirateur balai, afin de vous fournir une protection antimicrobienne qui lutte en permanence contre la prolifération des microbes qui cause taches, odeurs et dégradation du produit. Quand des microbes, comme bactéries ou moisissures, entrent en contact avec la surface du produit, Intellashield™ pénètre leur paroi cellulaire et leurs fonctions clés, de sorte qu'elles ne peuvent plus croître et se reproduire. Votre aspirateur Oreck restera plus propre plus longtemps.

## HEPA-Celoc® Système de filtre hypoallergique

Le sac extérieur HEPA-Celoc de votre aspirateur est équipé d'un matériau médical de filtration très fin qui retient les plus petites particules de poussière. Il est essentiel de nettoyer l'intérieur du sac extérieur. Vous pouvez y passer l'aspirateur ou le laver à la main (le sac retourné à l'envers) avec de l'eau tiède, puis le sécher à l'air libre. Pour de meilleurs résultats, le sac extérieur HEPA-Celoc devrait être remplacé une fois l'an. Le sac à poussières intérieur jetable avec couches HEPA-Celoc doit être remplacé une fois par mois, même s'il n'est pas plein. Remplacez-le plus souvent si l'aspirateur est utilisé dans des zones très sales. Votre aspirateur sera plus puissant si vous remplacez souvent le sac.

## Courroie

La courroie de votre aspirateur contrôle la vitesse de votre balai rotatif et constitue un élément très important du fonctionnement efficace de l'appareil. Si la courroie s'étire ou se coupe, le balai rotatif ralentira ou s'arrêtera complètement. Pour le remplacement de la courroie, suivez les instructions du manuel.

**Note:** Une courroie de rechange est rangée dans la plaque de base de votre aspirateur. Lorsque vous achetez une courroie de rechange, choisissez uniquement une courroie de marque ORECK. Les courroies ne portant pas la marque ORECK ne feront pas fonctionner correctement le balai tournant et peuvent créer une résistance capable d'endommager le moteur et les paliers du balai. L'utilisation d'une courroie ne portant pas la marque ORECK annule la garantie.

## Lubrification

Les paliers du moteur de l'aspirateur ont été lubrifiés en usine et fermés hermétiquement. Aucune lubrification supplémentaire n'est nécessaire.

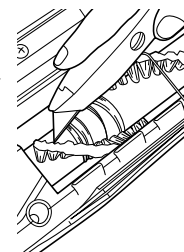
## ATTENTION - Planchers, revêtements de sols souples (dalles PVC, carreaux à base de bitume) et sols cirés

Employez les méthodes de finition de sols et revêtements de sols préconisées par le fabricant. La brosse peut aussi marquer les finis délicats. Ne pas opérer avec l'appareil verrouillé et en position verticale. Ne pas laisser l'appareil tourner à la même place pendant longtemps. Il faut toujours le déplacer quand le moteur est en marche.

**Note:** Au moins une fois par mois, vérifiez le balai rotatif et enlevez-y la charpie, les bouts de fil et les cheveux. Les rainures brevetés de l'électrobrosse vous facilitent le nettoyage.

Essuyez l'extérieur de l'aspirateur avec un chiffon humide. Nettoyez également le déflecteur du connecteur, la base de l'aspirateur et le boîtier du ventilateur. S'il y a de la poussière dans le sac extérieur, passez-y l'aspirateur ou secouez-le.

Un peu d'entretien préventif permettra à votre aspirateur de conserver une apparence neuve et une grande efficacité.



# Entretien.

## Remplacement du sac à poussières filtrant

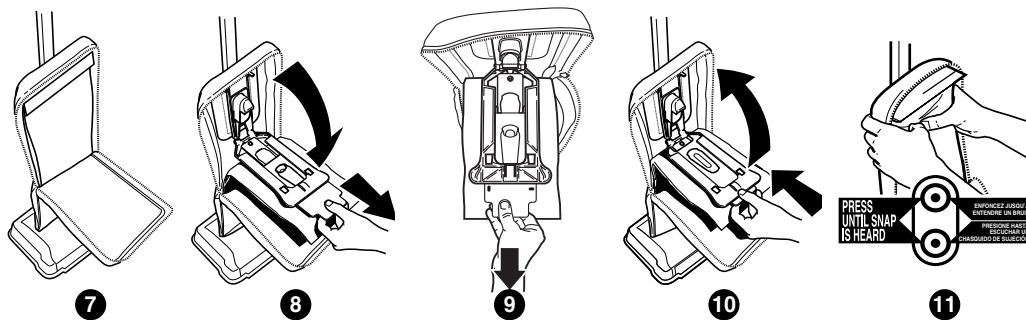
**⚠ AVERTISSEMENT:** Avant d'exécuter cette opération, débranchez le cordon d'alimentation de la prise murale.

### ENLÈVEMENT DU SAC:

- 7 Ouvrez complètement le sac extérieur.
- 8 Tirez le collier carton du sac pour dégager la porte de sac du raccord. La porte de sac va basculer vers le bas.
- 9 Tirez doucement le collier carton vers le haut en le sortant du berceau de sac. Le joint d'étanchéité aux poussières Saniseal™ va se fermer automatiquement.

### INSTALLATION D'UN SAC:

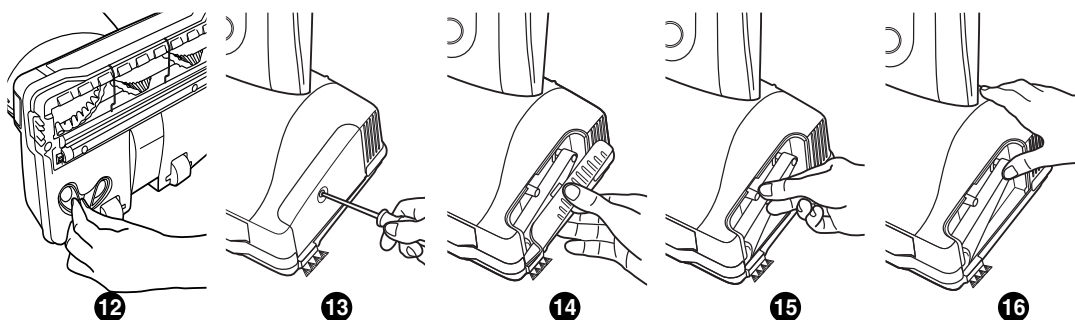
- 10 Faites glisser le collier en carton sur la porte du sac jusqu'à ce que la patte de fermeture automatique et étanche du sac à poussières soit bloquée dans le trou correspondant.
- 11 Placez les deux pouces aux endroits indiqués sur la porte du sac, puis poussez fermement jusqu'au dé clic.



## Remplacement d'une courroie usée

**⚠ AVERTISSEMENT:** Avant d'exécuter cette opération, débranchez le cordon d'alimentation de la prise murale.

- 12 Enlevez la courroie de rechange du canal de rangement.
- 13 Déposez la porte en enlevant la vis de maintien située sur le côté de l'électrobrosse.
- 14 Pliez la porte en l'écartant de l'électrobrosse et enlevez-la.
- 15 Enlevez la courroie de l'axe d'entraînement du moteur et de la poulie du cylindre brossier.
- 16 Faites passer la nouvelle courroie autour de la poulie du cylindre brossier. Placez l'autre extrémité de la courroie sur l'axe d'entraînement du moteur.
- 14 Remettez la porte en place en plaçant ses pattes du bas dans les fentes situées dans l'électrobrosse et en pressant la porte jusqu'à sa fermeture.
- 13 Remplacez la vis de maintien et serrez-la.

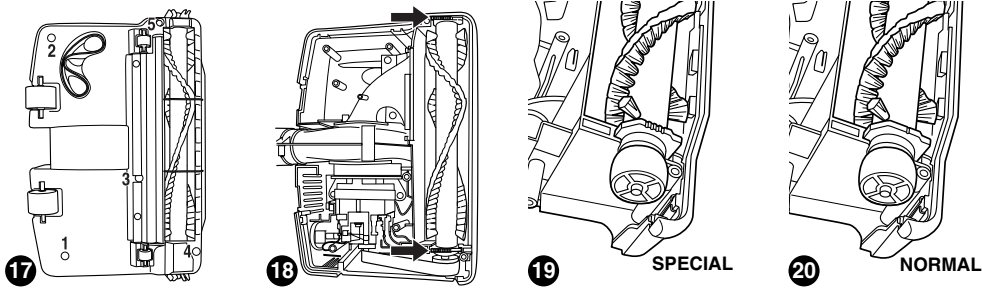


## Réglage ou remplacement du balai

**⚠ AVERTISSEMENT:** Avant d'exécuter cette opération, débranchez le cordon d'alimentation de la prise murale.

Le vide de votre Oreck vient avec le roulement de brosse réglé à la position "NORMAL" pour la plupart des types de tapis. En cas d'utilisation de l'aspirateur principalement sur des tapis berbères, vous pouvez passer sur le réglage "SPECIAL" du rouleau brossant pour une meilleure performance.

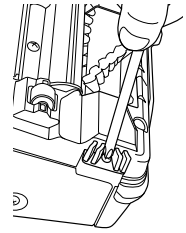
- 17 Enlevez les 5 vis de la plaque de base, puis la plaque de base. Enlevez ensuite la courroie et le balai rouleau dans le boîtier.
- 18 Faites tourner ensemble les fiches d'extrémité du cylindre brossier pour montrer "SPECIAL" et replacez dans les canaux de maintien du châssis.
- 19 **Note:** Celle qui est marquée "SPECIAL" a plusieurs nervures en haut de la fiche d'extrémité.
- 20 La position de fiche d'extrémité de brosse marquée "NORMAL" n'a pas de nervures. Quand vous tournez les roulements, assurez-vous que les deux positions de fiches d'extrémité sont les mêmes et sont vers le haut quand vous remplacez le cylindre brossier.
- 16 Réassemblez la courroie.
- 17 Réassemblez la plaque de base.



## Remplacement du cylindre brosser

**⚠ AVERTISSEMENT:** Avant d'exécuter cette opération, débranchez le cordon d'alimentation de la prise murale.

Retournez l'électrobrosse. Avec la plaque de base vers vous, enlevez la vis située au milieu de chaque électrobrosse. Enlevez les deux cylindres brossers et remplacez-les par de nouveaux. Remettez les vis de fixation et serrez-les.

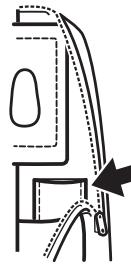


## Remplacement de l'éclairage à DEL

L'ensemble d'éclairage doit être remplacé par un centre de service agréé par Oreck si cet éclairage est défectueux pendant le fonctionnement.

## Utilisation d'une tablette Oreck Fresh Air®

Votre aspirateur ORECK U7100 comporte une pochette spéciale pour tablette ORECK FRESH AIR®. Elle est située dans le sac en toile extérieur dans la zone où le sac de filtrage des poussières anti-odeur se fixe sur le tube d'admission. Insérez une tablette dans cette pochette si vous le souhaitez.



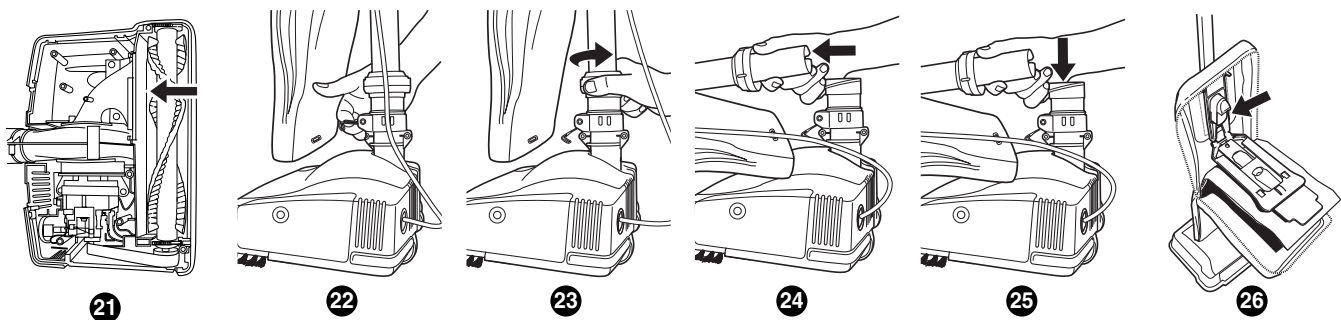
## Blocage ou bourrage

**IMPORTANT:** Sur de la peluche et de la moquette neuve, il peut se produire un bourrage dans le tube d'aspiration ou l'ensemble de tube inférieur. Cela est dû à trop de peluches et des bouts de poils de tapis, et cela durera jusqu'à ce que tout le matériau soit enlevé. À la suite de l'efficacité élevée du nettoyeur, beaucoup de tapis plus anciens peuvent aussi causer un bourrage la première fois que l'aspirateur est utilisé pour les nettoyer. Si votre aspirateur ne ramasse pas normalement, ou fait un bruit inhabituel et que le sac extérieur ne se remplit pas ou ne se gonfle pas, suivez les étapes suivantes:

**⚠ AVERTISSEMENT:** Avant d'exécuter cette opération, débranchez le cordon d'alimentation de la prise murale.

- 21** Vérifiez s'il y a un blocage à l'entrée de l'admission d'air. S'il y a un blocage, enlevez-le avec des pinces à bec long, un tournevis ou un cintre. Si vous ne pouvez pas atteindre le blocage, enlevez la plaque de base.
- 22** Si le blocage ne se situe pas à la base, enlevez le tube inférieur. Déconnectez le ressort de maintien pour relâcher le bas du sac
- 23** Tournez le collier inférieur dans le sens contraire des aiguilles d'une montre pour le glisser vers le haut. Tirez le tube de la base.
- 24** Si le bouchon est dans le tube, retirez-le avec un porte-manteaux.
- 25** Si le tube n'est pas bloqué, regardez dans le boîtier du ventilateur. Enlevez les débris avec des pinces à bec long, un tournevis ou un cintre.
- 23** Pour le remontage, vérifiez le joint torique du tube, et remplacez-le s'il est endommagé. Remettez en place le tube en alignant d'abord un emplacement à sa base avec un onglet dans le carter de ventilateur. Insérez le tube et poussez dessus jusqu'à sa mise en position. Assurez-vous que le joint torique est placé contre l'ouverture du carter de ventilateur. Remettez et serrez le collier jusqu'à ce que les crans de verrouillage du collier soient fixés en place. Raccrochez le ressort de sac.
- 26** Il arrive souvent que des blocages surviennent parce que le sac à poussières est plein et que les saletés refoulent dans le système de circulation d'air. Dans ces situations, le blocage se concentre dans la partie supérieure du système, particulièrement là où le sac à poussières est raccordé au connecteur.

**Note:** Si les opérations ci-dessus ne corrigent pas le problème, contactez un centre de service autorisé ORECK ou appelez le centre de service à la clientèle. **US: 1-800-989-3535 Canada: 1-888-676-7325**



# Dépannage.

Des problèmes de service qui apparaissent à priori majeurs peuvent souvent être résolus facilement. Vous pouvez dépanner par vous-même en consultant ce guide.

**Toutes les autres interventions doivent être confiées à un centre de réparations agréé par Oreck.**

Problème	Cause Possible	Vérifications
L'aspirateur ne fonctionne pas	<ul style="list-style-type: none"> <li>L'appareil est mal branché.</li> <li>No Aucune électricité n'arrive à la prise murale.</li> </ul>	<ul style="list-style-type: none"> <li>Assurez-vous que l'aspirateur est correctement branché dans la prise murale.</li> <li>Vérifiez le fusible ou le disjoncteur du circuit utilisé.</li> </ul>
L'aspirateur ne ramasse pas les saletés	<ul style="list-style-type: none"> <li>Le sac filtrant est plein.</li> <li>Blocage au niveau du bec d'aspiration ou du pivot d'admission.</li> <li>La courroie est endommagée ou étirée.</li> <li>Le balai est usé.</li> <li>Le tube du sac est bouché.</li> <li>Les pores du sac sont bouchés par de la poussière fine.</li> <li>Le ventilateur d'aspiration est défectueux.</li> <li>Le balai rotatif n'est pas à égalité aux deux extrémités.</li> </ul>	<ul style="list-style-type: none"> <li>Remplacez le sac filtrant (voir «Installation du sac à poussières en papier filtre»).</li> <li>Dégagez les blocages.</li> <li>Remplacez la courroie.</li> <li>Remplacez le balai si les poils ne dépassent pas le bord de la plaque de base.</li> <li>Dégagez le blocage.</li> <li>Remplacez le sac.</li> <li>Retournez l'appareil au centre de réparation.</li> <li>Vérifiez le joint des paliers. Assurez-vous que les mots «normal» ou «special» correspondent à chaque extrémité.</li> </ul>
L'unité ne fonctionne pas correctement.	<ul style="list-style-type: none"> <li>Vérifiez tous les points ci-dessus.</li> </ul>	<ul style="list-style-type: none"> <li>Contact Oreck pour le service.</li> </ul>

# Pièces.

Assistance à la clientèle  
 USA: 1-800-989-3535  
 Canada: 1-888-676-7325  
 Site Web: www.oreck.com

Tous les accessoires et pièces de rechange sont vendus séparément. Pour passer commande, appelez notre groupe de service à la clientèle ou visitez notre site Web. Lorsque vous téléphonez, n'oubliez pas de noter le numéro de modèle et le numéro de série de l'appareil, lesquels figurent sur sa plaque signalétique.

## Accessoires

Élément	Numéro de Pièce
Rafraîchissant Crystal Aroma® pour moquette et ambiance	AROMAI
Système de nettoyage à sec de moquette Oreck Dry Carpet®	303088

## Pièces de Remplacements

Élément	Numéro de Pièce
8 Sacs à poussière Saniseal® Hypoallergiques Odeur Combattant	CCPK8OF
8 Sacs à poussière Saniseal® Hypoallergiques	CCPK8DW
3 Courroies	0300604

## Service à la Clientèle

USA: 1-800-989-3535 Canada: 1-888-676-7325

Site Web: www.oreck.com

# Garantie.



ORECK MANUFACTURING COMPANY : (La société ORECK vous offre avec ce produit la garantie limitée suivante, uniquement s'il a été acheté auprès de la société ORECK ou d'un revendeur autorisé ORECK pour l'utiliser et non pour le revendre.)

Oreck s'engage à réparer ou remplacer, sans frais pour l'acheteur d'origine, toute pièce trouvée défectueuse pour cause de matériaux ou de main d'oeuvre, durant quinze (15) ans à compter de la date d'achat. Cette garantie est portée à dix (10) ans pour le corps. Cette garantie limitée s'applique à une utilisation domestique normale. Toute utilisation commerciale du produit annulerait cette garantie limitée. Cette garantie limitée couvre la brosse à rouleau tournante durant un (1) an en utilisation domestique uniquement.

Cette garantie limitée ne couvre pas le remplacement de pièces non réutilisables ou consommables telles que charbons de moteur, brosses pour les bords, courroies d'entraînement ampoules, sacs jetables et autres pièces soumises à l'usure normal, sauf si elle souffraient d'un défaut du aux matériaux ou à la main d'oeuvre.

Cette garantie limitée ne couvre pas les pièces victimes d'un accident, d'un usage abusif, à l'utilisation commerciale d'abus, d'une modification, d'une mauvaise utilisation, de dommages causés par un incendie ou une catastrophe naturelle, ainsi que les appareils utilisés avec une tension électrique autre que celle indiquée sur leur plaque signalétique, ni les appareils réparés à l'extérieur de la société ORECK ou d'un centre de service après-vente ORECK.

La société ORECK n'autorise aucune personne et aucun représentant à accorder ou offrir d'autres clauses de garantie avec ce produit. La garantie limitée ORECK est valable uniquement si vous conservez une preuve d'achat de la société ORECK ou d'un revendeur autorisé ORECK. Si vous achetez ce produit ailleurs, vous l'achetez «en l'état», ce qui signifie que la société ORECK ne vous accorde alors aucune garantie. Dans ce cas, vous assumez tout le risque relatif à la qualité et aux performances de ce produit, ce qui comprend tous les frais de réparation et de correction d'éventuels défauts.

La responsabilité de la société ORECK pour d'éventuels dommages subis par vous ou relativement aux frais qui découlent de cet énoncé de garantie limitée ne peut dépasser le montant payé pour ce produit lors de son achat original. La société ORECK ne peut être tenue responsable de tout dommage direct ou indirect relatif à l'utilisation ou à l'incapacité d'utiliser ce produit.

Puisque certains États ou provinces interdisent l'exclusion ou la restriction des dommages indirects, il est possible que l'exclusion ou la restriction ci-dessus ne s'applique pas à vous.

**TOUTE GARANTIE EXPRESSE OU IMPLICITE RELATIVE À CE PRODUIT, Y COMPRIS LES GARANTIES IMPLICITES DE QUALITÉ COMMERCIALE OU DE CONVENANCE À UN USAGE QUELCONQUE, S'APPLIQUE PENDANT UNE DURÉE ÉQUIVALENTE À LA PÉRIODE DE GARANTIE ET AUCUNE GARANTIE EXPRESSE OU IMPLICITE NE POURRA S'APPLIQUER APRÈS CETTE PÉRIODE.**

Puisque certains États ou provinces ne permettent pas les restrictions sur la durée des garanties implicites, il est possible que la restriction ci-dessus ne s'applique pas à vous.

Cette garantie vous accorde des droits juridiques précis et il est également possible que vous ayez d'autres droits dépendant de votre lieu de résidence.

**ORECK®**

©2009 Oreck Holdings, LLC.  
All rights reserved. All word marks, logos product configurations and registered  
trademarks are owned and used under the authority of Oreck Holdings, LLC.  
79030-01 REVA 01/09 ECN # R-9302